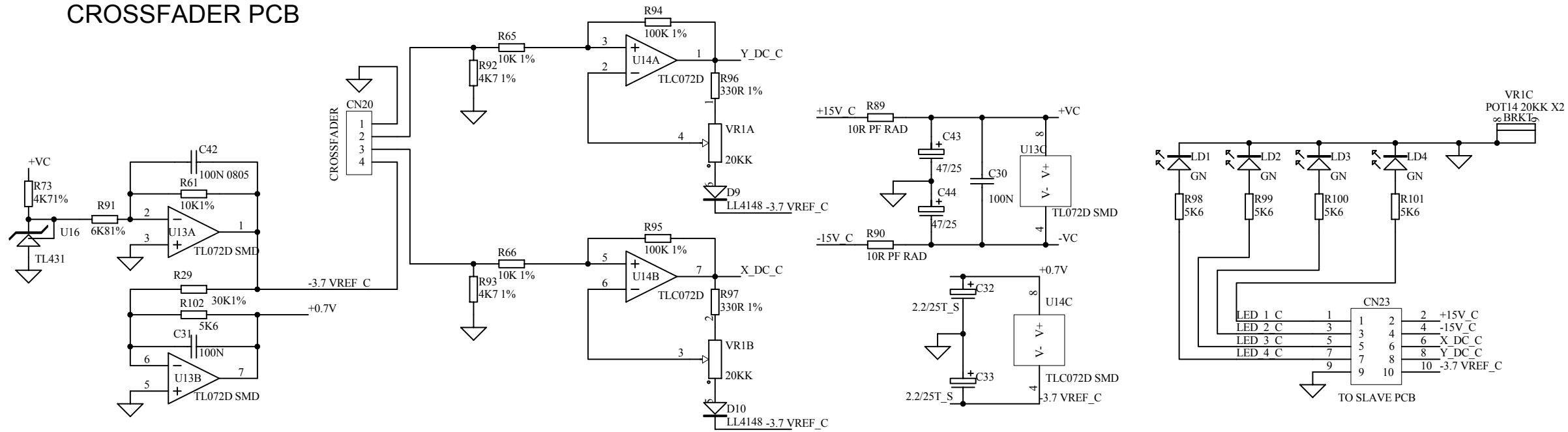


CROSSFADER PCB



ALLEN&HEATH
 Kernick Industrial Estate,
 Penryn, Cornwall,
 England. TR10 9LU
 Tel: +44 (0)8707 556250
 Fax: +44 (0)8707 556251

ISSUE	BY	DATE	CHK BY
1	ARJ	07-11-03	
2	ARJ	04-05-04	

A11	A12	FID1	FID2	FH12	FH13	FH14
○	○	○	○	○	○	○

FILE: AG5608 CROSSFADER PCB ISS 2.SCH

TITLE:	XONE 92 CROSSFADER PCB		
PAGE:			
DRG No:	C5608	ISSUE:	2
SHEET:	1 OF 1		

PRINTED: 10:43:22 21-Sep-2004

