

CN3

MIX L	1	2	MIX R
AUX 1 L	3	4	AUX 1 R
AUX 2 L	5	6	AUX 2 R
CUE L	7	8	CUE R
CLEAN MIX	9	10	-15V
+15V	11	12	CUE DC
+10 M	13	14	+5V
EQ SLCT	15	16	-5V

TO SLAVE CARD

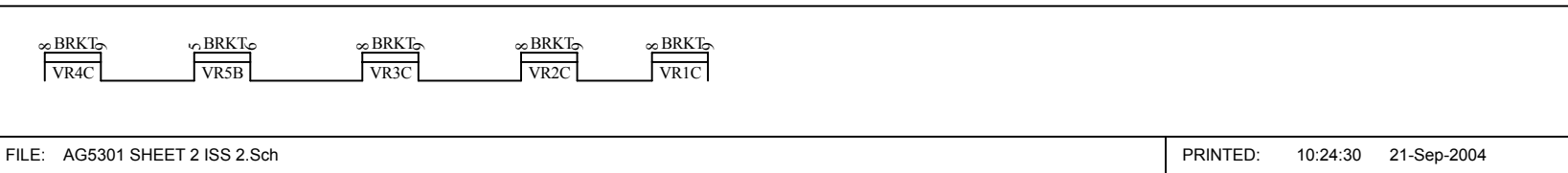
CN4

BOOTH LEFT	1	2	BOOTH RIGHT
MIX2 L OUT	3	4	MIX2 R OUT
MIX1L OUT +	5	6	AUX1_OUT_L
MIX1L OUT -	7	8	AUX1_OUT_R
MIX1R OUT +	9	10	AUX2_OUT_L
MIX1R OUT -	11	12	AUX2_OUT_R
MIX LEFT	13	14	METER_R
MIX RIGHT	15	16	+10_M
	17	18	
	19	20	MTR_GND

TO CONNECTOR PCB

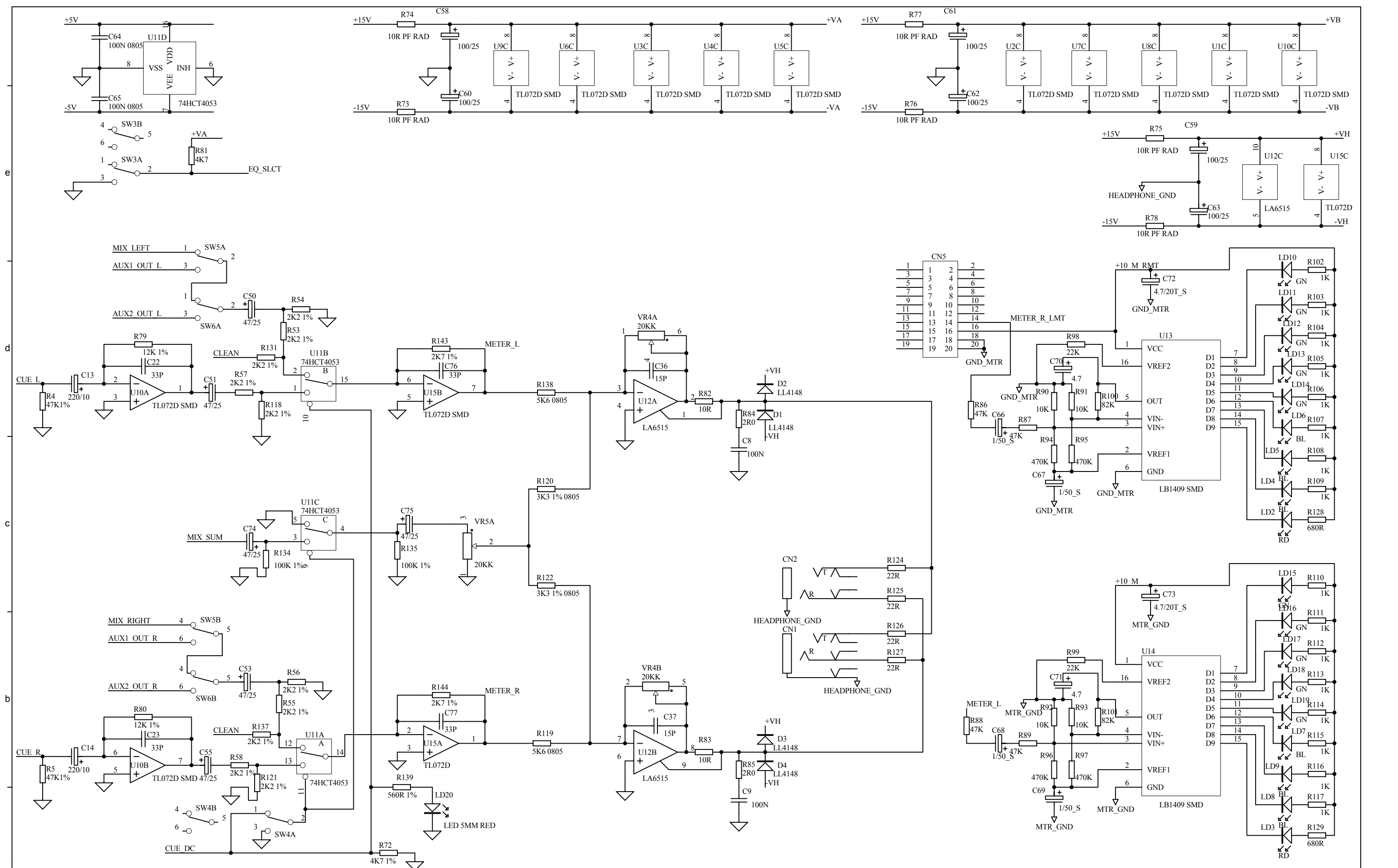
**ALLEN&HEATH**  
 Kernick Industrial Estate,  
 Penryn, Cornwall,  
 England. TR10 9LU  
 Tel: +44 (0)8707 556250  
 Fax: +44 (0)8707 556251

ISSUE	BY	DATE	CHK BY
1	ARJ	07-11-03	
2	ARJ	23-03-04	



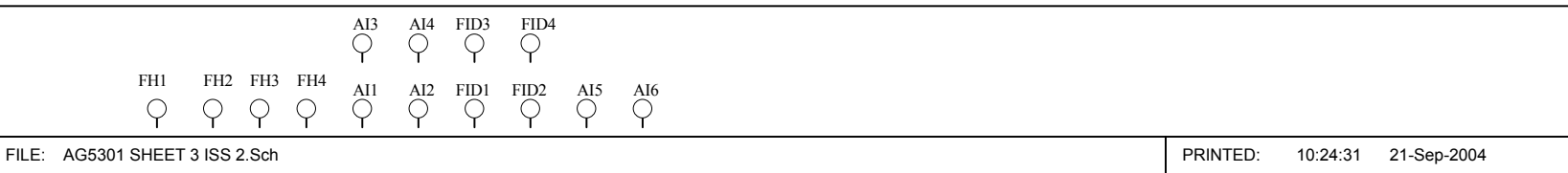
TITLE: **XONE 92 MASTER PCB**  
 PAGE:  
 DRG No: C5301 ISSUE: 2 SHEET: 1 OF 2

FILE: AG5301 SHEET 2 ISS 2.Sch PRINTED: 10:24:30 21-Sep-2004



**ALLEN&HEATH**  
 Kernick Industrial Estate,  
 Penryn, Cornwall,  
 England. TR10 9LU  
 Tel: +44 (0)8707 556250  
 Fax: +44 (0)8707 556251

ISSUE	BY	DATE	CHK BY
1	ARJ	07-11-03	
2	ARJ	23-03-04	



TITLE: XONE 92 MASTER PCB  
 PAGE:  
 FILE: AG5301 SHEET 3 ISS 2.Sch  
 PRINTED: 10:24:31 21-Sep-2004  
 DRG No: C5301 ISSUE: 2 SHEET: 2 OF 2

