

CN3 TO SLAVE CARD

MIX L	1	2	MIX R
AUX 1 L	3	4	AUX 1 R
AUX 2 L	5	6	AUX 2 R
CUE L	7	8	CUE R
CLEAN MIX	9	10	-15V
+15V	11	12	CUE_DC
+10_M	13	14	+5V
EQ SLCT	15	16	-5V

CN4 TO CONNECTOR PCB

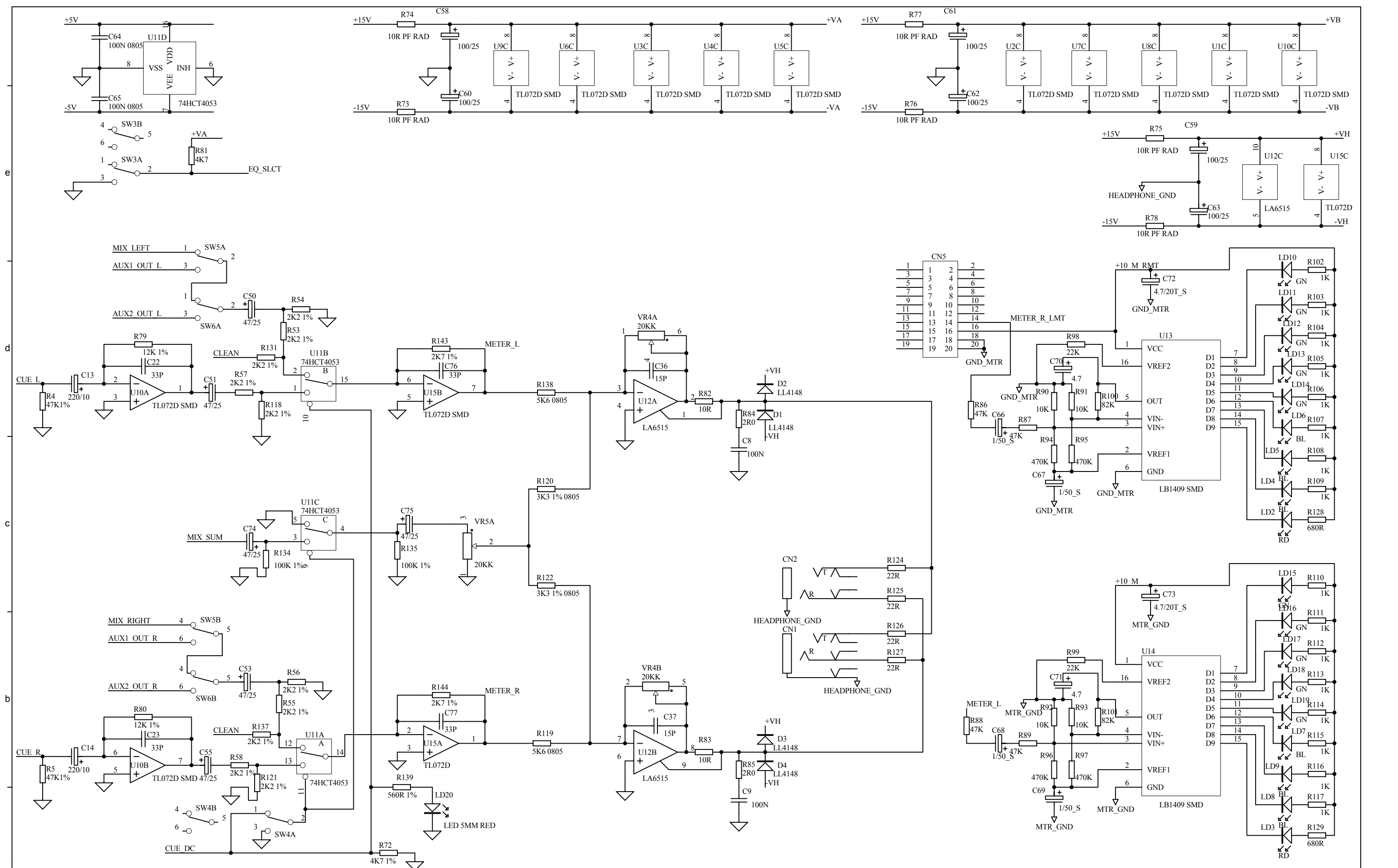
BOOTH LEFT	1	2	BOOTH_RIGHT
MIX2 L_OUT	3	4	MIX2_R_OUT
MIX1L_OUT +	5	6	AUX1_OUT_L
MIX1L_OUT -	7	8	AUX1_OUT_R
MIX1R_OUT +	9	10	AUX2_OUT_L
MIX1R_OUT -	11	12	AUX2_OUT_R
MIX LEFT	13	14	METER_R
MIX RIGHT	15	16	+10_M
	17	18	
	19	20	MTR_GND

ALLEN & HEATH
 Kernick Industrial Estate,
 Penryn, Cornwall,
 England. TR10 9LU
 Tel: +44 (0)8707 556250
 Fax: +44 (0)8707 556251

ISSUE	BY	DATE	CHK BY
1	ARJ	07-11-03	

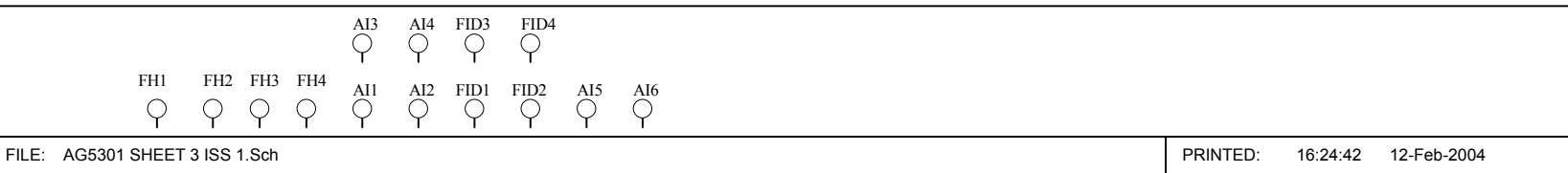
FILE: AG5301 SHEET 2 ISS 1.Sch

TITLE: XONE 92 MASTER PCB
 PAGE:
 DRG No: C5301 ISSUE: 1 SHEET: 1 OF 2

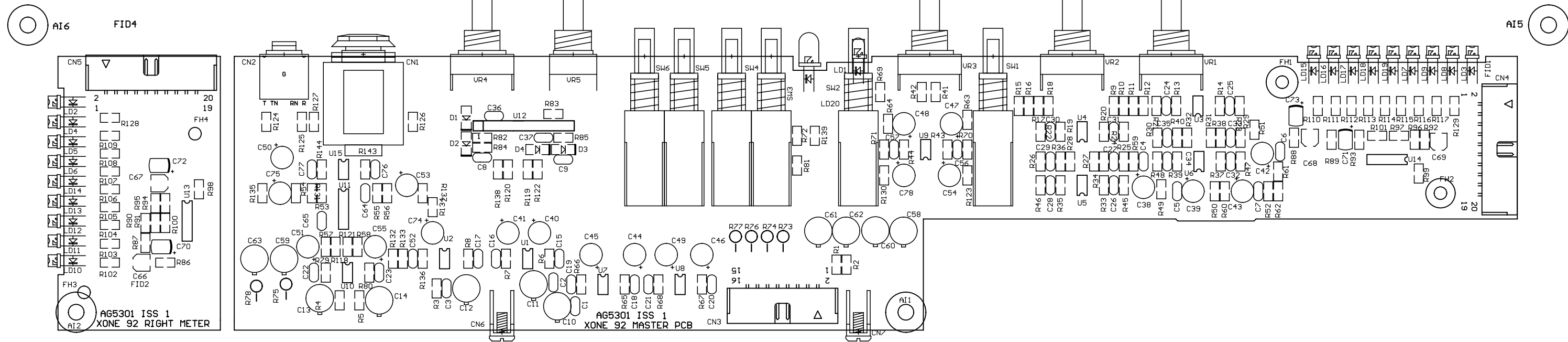


ALLEN&HEATH
 Kernick Industrial Estate,
 Penryn, Cornwall,
 England. TR10 9LU
 Tel: +44 (0)8707 556250
 Fax: +44 (0)8707 556251

ISSUE	BY	DATE	CHK BY
1	ARJ	07-11-03	



TITLE: **XONE 92 MASTER PCB**
 PAGE:
 FILE: AG5301 SHEET 3 ISS 1.Sch
 PRINTED: 16:24:42 12-Feb-2004
 DRG No: C5301 ISSUE: 1 SHEET: 2 OF 2



TOP OVERLAY .GTO

FID3

AI4