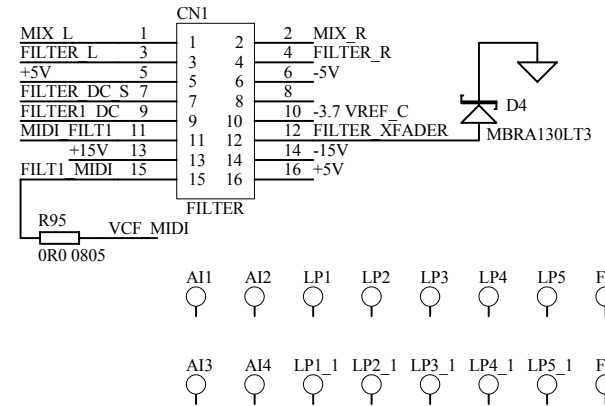
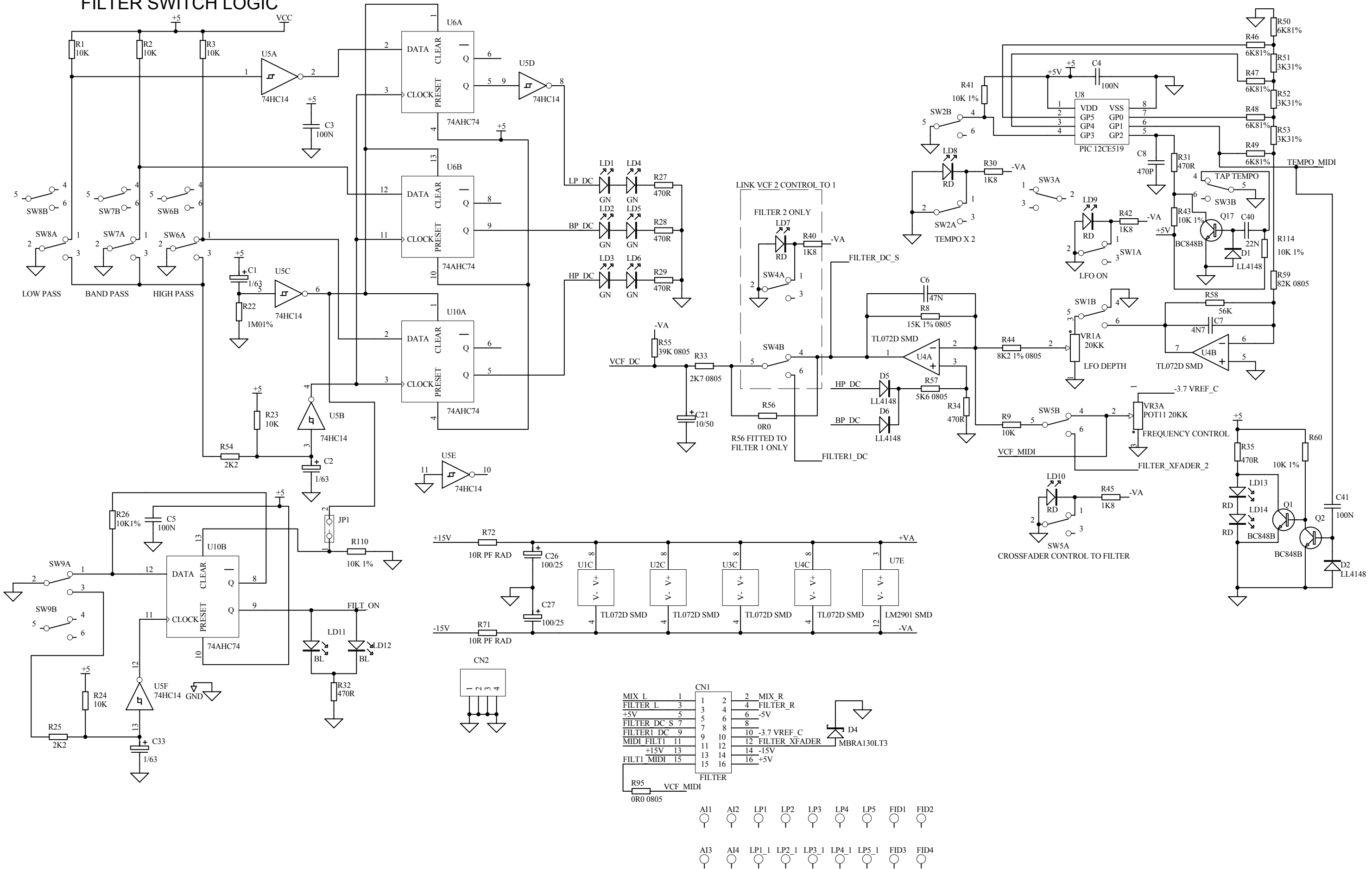


# FILTER SWITCH LOGIC



**ALLEN&HEATH**  
 Kernick Industrial Estate,  
 Penryn, Cornwall,  
 England. TR10 9LU  
 Tel: +44 (0)8707 556250  
 Fax: +44 (0)8707 556251

ISSUE	BY	DATE	CHK BY
1	ARJ	07-11-03	
2	ARJ	18-12-03	
3	ARJ	11-02-04	

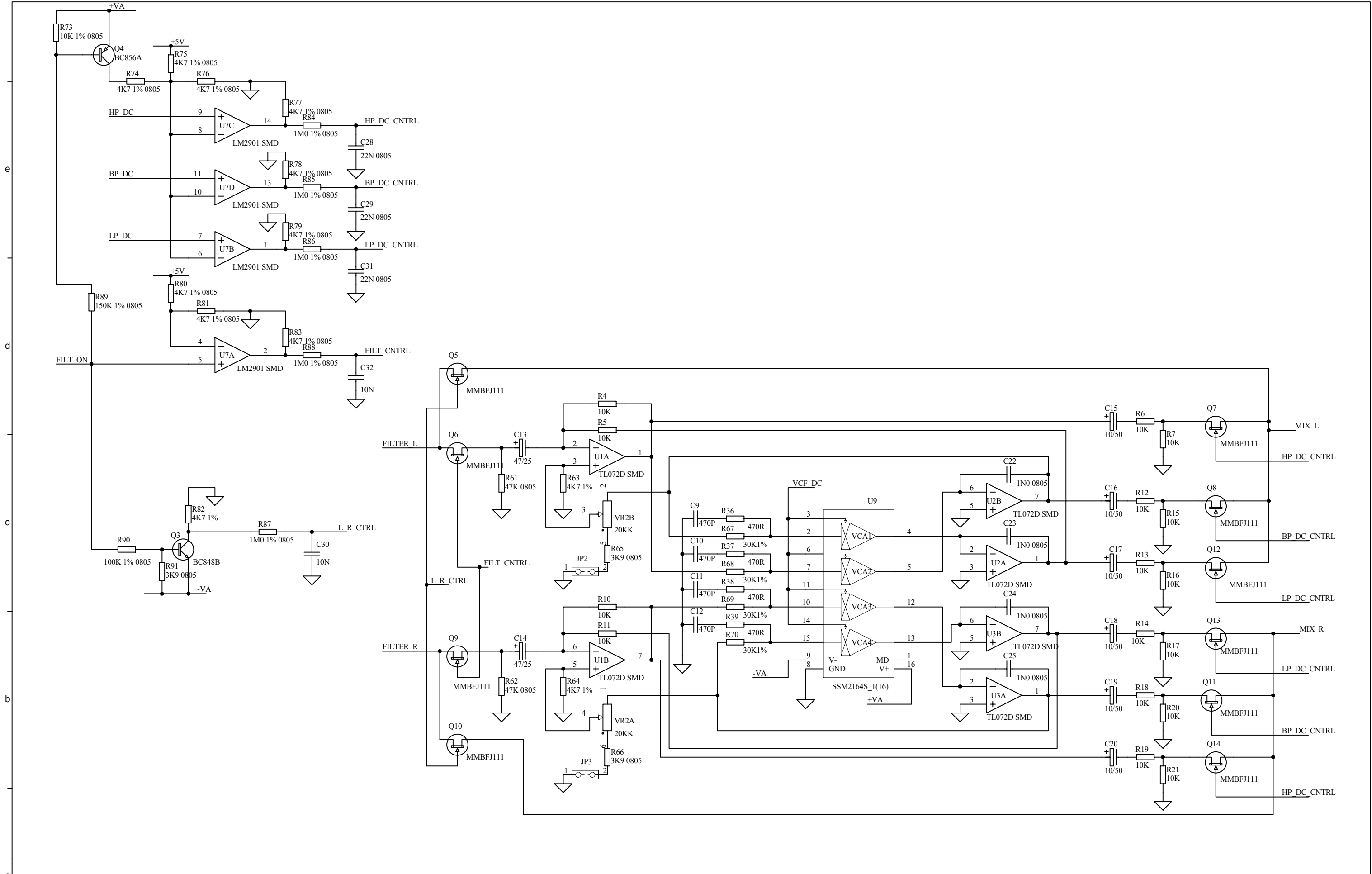
VR2C  
VR1B  
VR3B

POT14 20KK X2 POT11 20KK POT11 20KK

FILE: AG5300 ISS 3 SHEET 1.SCH

TITLE: XONE 92 FILTER/MIDI PCB  
 PAGE:  
 DRG No: C5300 ISSUE: 3 SHEET: 1 OF 3

PRINTED: 10:13:22 21-Sep-2004



<b>ALLEN&amp;HEATH</b> Kernick Industrial Estate, Penryn, Cornwall, England. TR10 9LU Tel: +44 (0)8707 556250 Fax: +44 (0)8707 556251	ISSUE	BY	DATE	CHK BY
	1	ARJ	07-11-03	
	2	ARJ	18-12-03	
	3	ARJ	11-02-04	

FILE: AG5300 ISS 3 SHEET 2.SCH

PRINTED: 10:13:23 21-Sep-2004

TITLE: XONE 92 FILTER/MIDI PCB  
 PAGE:  
 DRG No: C5300 ISSUE: 3 SHEET: 2 OF 3



