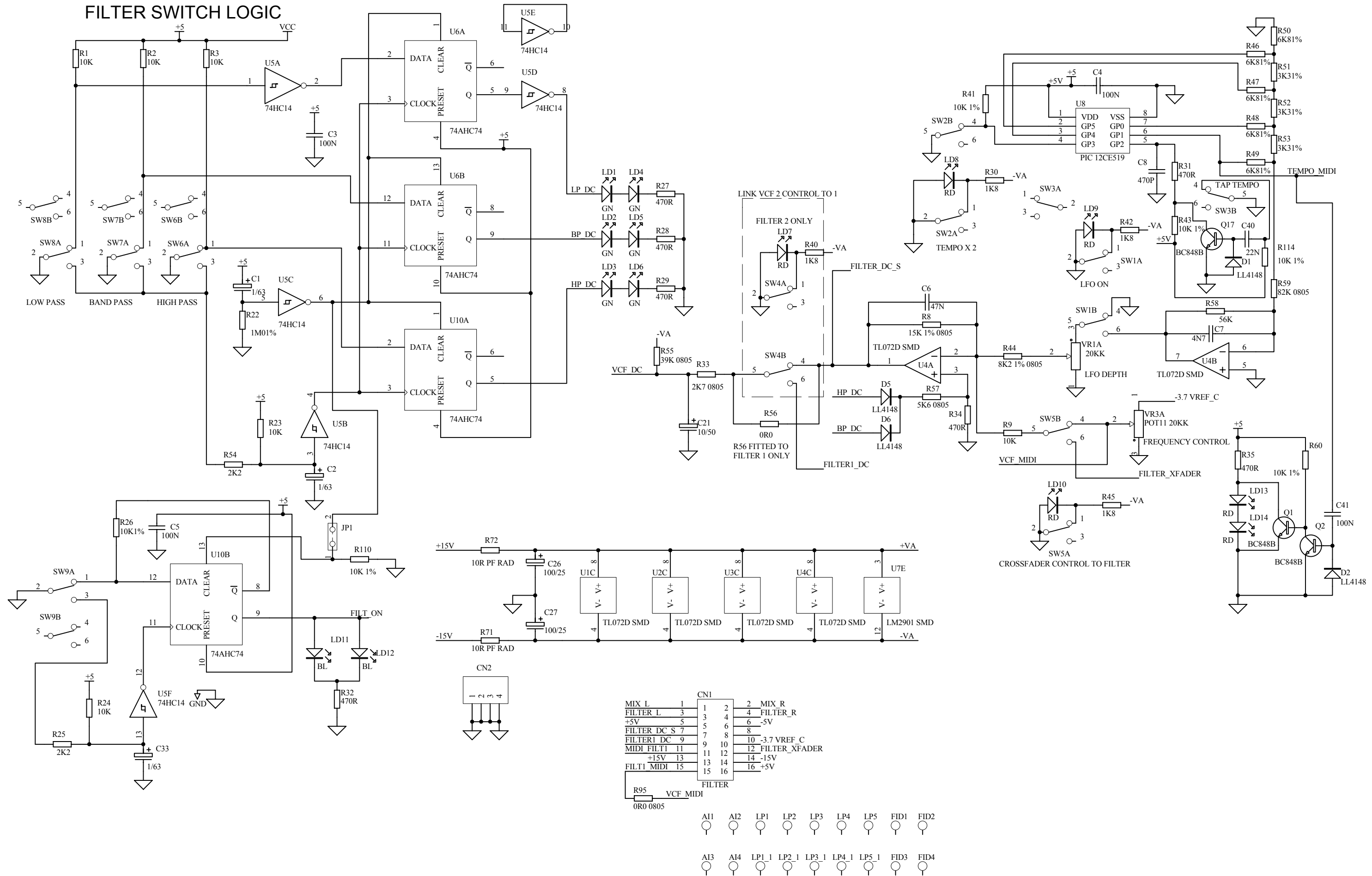


FILTER SWITCH LOGIC



ALLEN&HEATH
 Kernick Industrial Estate,
 Penryn, Cornwall,
 England. TR10 9LU
 Tel: +44 (0)8707 556250
 Fax: +44 (0)8707 556251

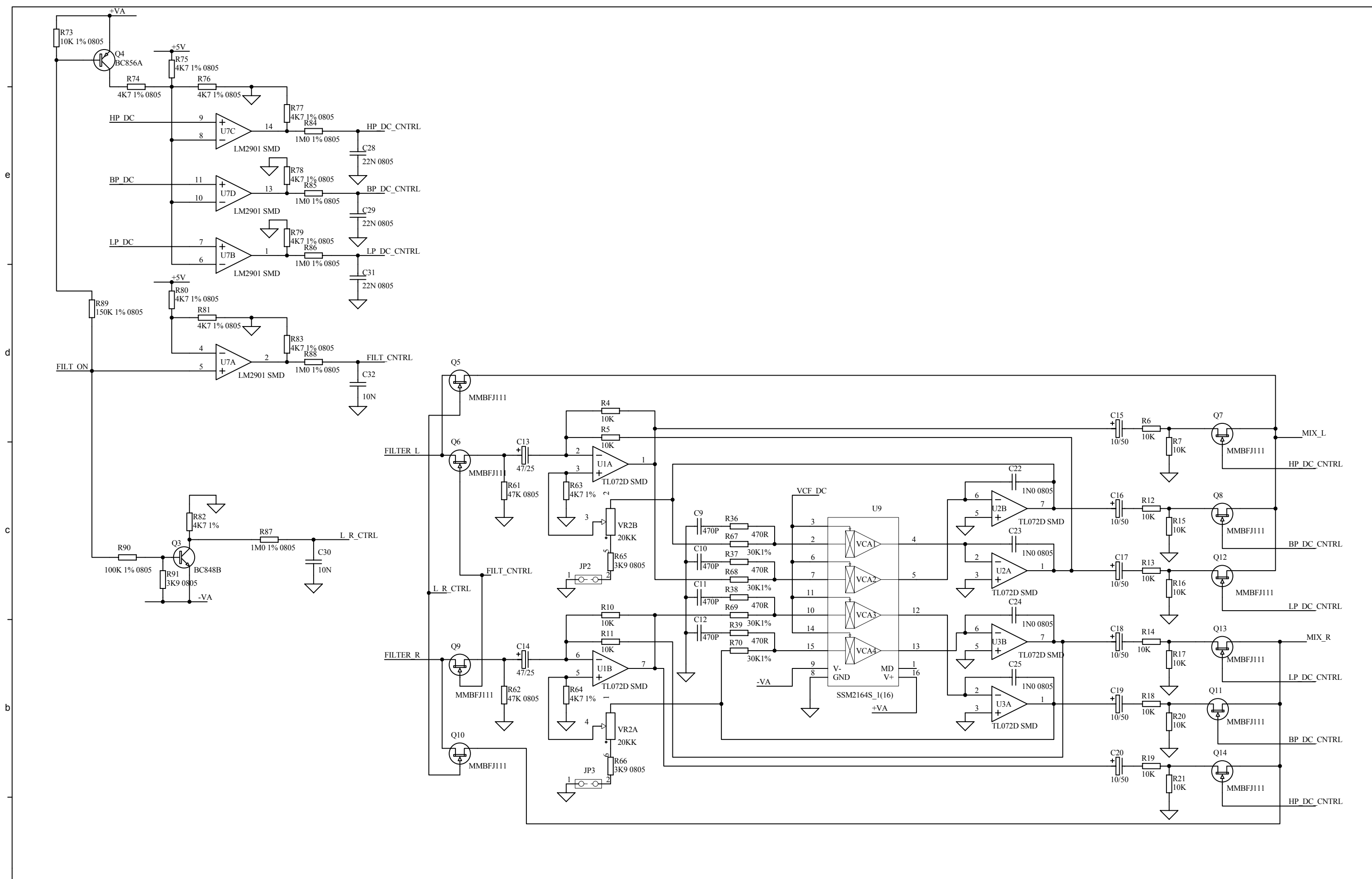
ISSUE	BY	DATE	CHK BY
1	ARJ	07-11-03	
2	ARJ	18-12-03	

VR2C	VR1B	VR3B
POT14 20KK X2	POT11 20KK	POT11 20KK

FILE: AG5300 ISS 2 SHEET 1.SCH

TITLE: XONE 92 FILTER/MIDI PCB
 PAGE:
 DRG No: C5300 ISSUE: 2 SHEET: 1 OF 3

PRINTED: 16:15:56 12-Feb-2004

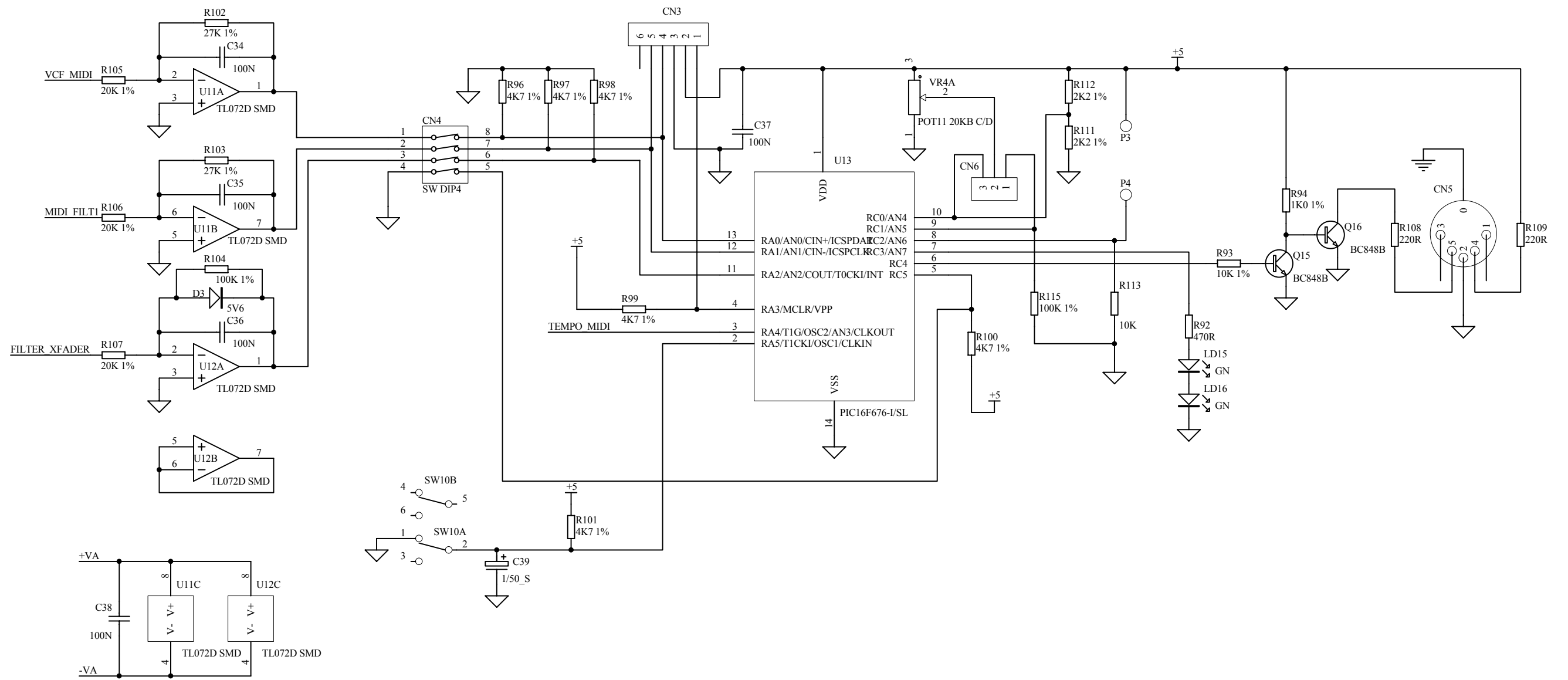


ALLEN&HEATH
 Kernick Industrial Estate,
 Penryn, Cornwall,
 England. TR10 9LU
 Tel: +44 (0)8707 556250
 Fax: +44 (0)8707 556251

ISSUE	BY	DATE	CHK BY
1	ARJ	07-11-03	
2	ARJ	18-12-03	

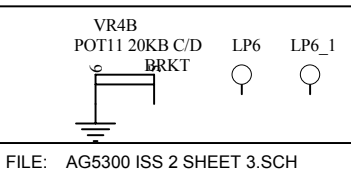
FILE: AG5300 ISS 2 SHEET 2.SCH
 PRINTED: 16:15:57 12-Feb-2004

TITLE: XONE 92 FILTER/MIDI PCB
 PAGE:
 DRG No: C5300 ISSUE: 2 SHEET: 2 OF 3



ALLEN&HEATH
 Kernick Industrial Estate,
 Penryn, Cornwall,
 England. TR10 9LU
 Tel: +44 (0)8707 556250
 Fax: +44 (0)8707 556251

ISSUE	BY	DATE	CHK BY
1	ARJ	07-11-03	
2	ARJ	18-12-03	



FILE: AG5300 ISS 2 SHEET 3.SCH

PRINTED: 16:15:57 12-Feb-2004

TITLE: XONE 92 MIDI
 PAGE:
 DRG No: C5300 ISSUE: 2 SHEET: 3 OF 3

