

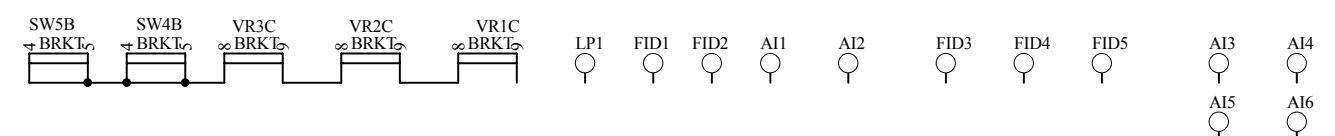
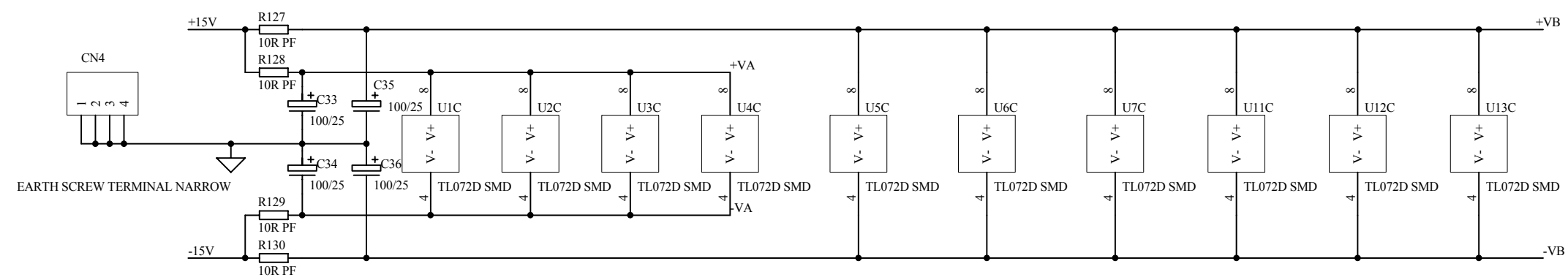
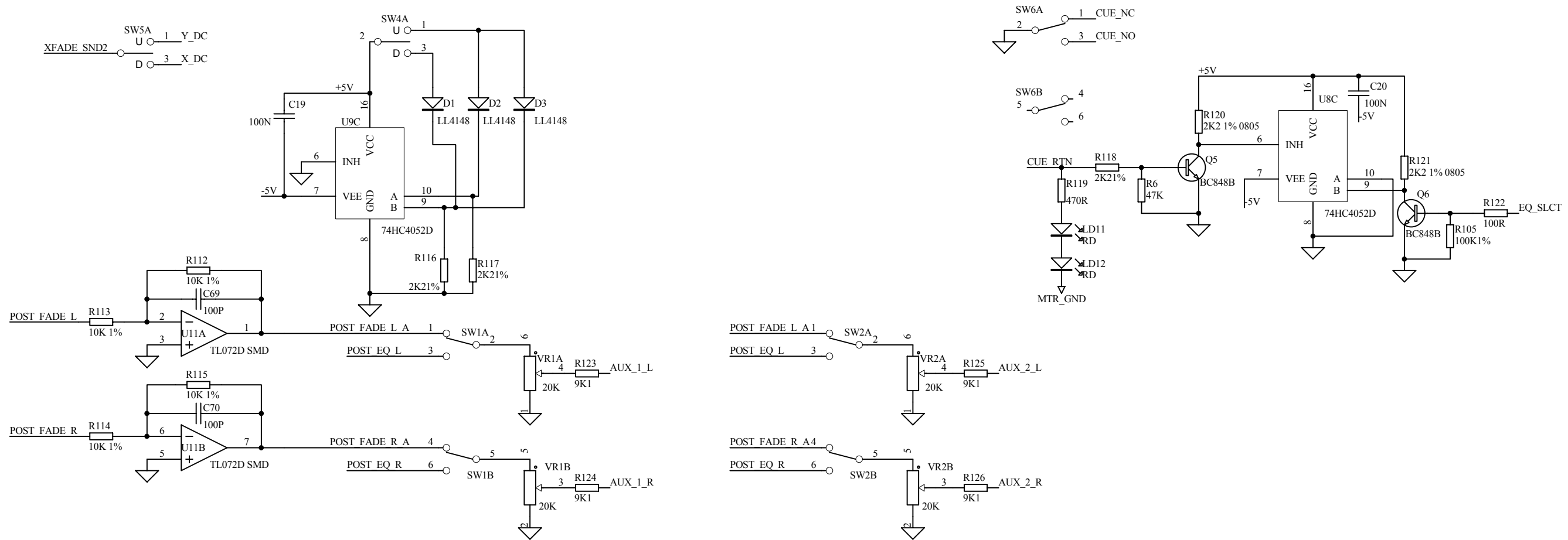
MIX L	1	1	2	2	MIX R	1	2	2	POST EQ_R	1	1	2	2	POST EQ_R
FILT 1 L	3	3	4	4	FILT 1_R	3	4	4	POST_FADE_R	3	3	4	4	POST_FADE_R
FILT 2 L	5	5	6	6	FILT 2_R	5	6	6	+5V	5	5	6	6	+5V
AUX 1 L	7	7	8	8	AUX 1_R	7	8	8	X DC	7	7	8	8	X DC
AUX 2 L	9	9	10	10	AUX 2_R	9	10	10	+10VM	9	9	10	10	+10VM
CUE L	11	11	12	12	CUE R	11	12	12		11	11	12	12	
+15V	13	13	14	14	-15V	13	14	14		13	13	14	14	
EQ SLCT	15	15	16	16	CUE RTN	15	16	16	CUE_NO	15	15	16	16	CUE_NO

BOX 8X2 M 90 DEG

ALLEN&HEATH
 Kernick Industrial Estate,
 Penryn, Cornwall,
 England. TR10 9LU
 Tel: +44 (0)8707 556250
 Fax: +44 (0)8707 556251

ISSUE	BY	DATE	CHK BY	FILE	PRINTED	DATE
1	ARJ	07-11-03		AG5299 ISS 3 Stereo SHEET 1	10:05:12	21-Sep-2004
2	ARJ	18/12/03				
3	ARJ	18/03/04				

TITLE: **XONE 92 STEREO CHANNEL**
 PAGE:
 DRG No: **C5299** ISSUE: **3** SHEET: **1 OF 2**



ALLEN&HEATH Kernick Industrial Estate, Penryn, Cornwall, England. TR10 9LU Tel: +44 (0)8707 556250 Fax: +44 (0)8707 556251	ISSUE	BY	DATE	CHK BY	TITLE: XONE 92 STEREO CHANNEL PAGE: DRG No: C5299 ISSUE: 3 SHEET: 2 OF 2
	1	ARJ	07-11-03		
	2	ARJ	18/12/03		
	3	ARJ	18/03/04		FILE: AG5299 ISS 3 Stereo SHEET 2 PRINTED: 10:05:13 21-Sep-2004

