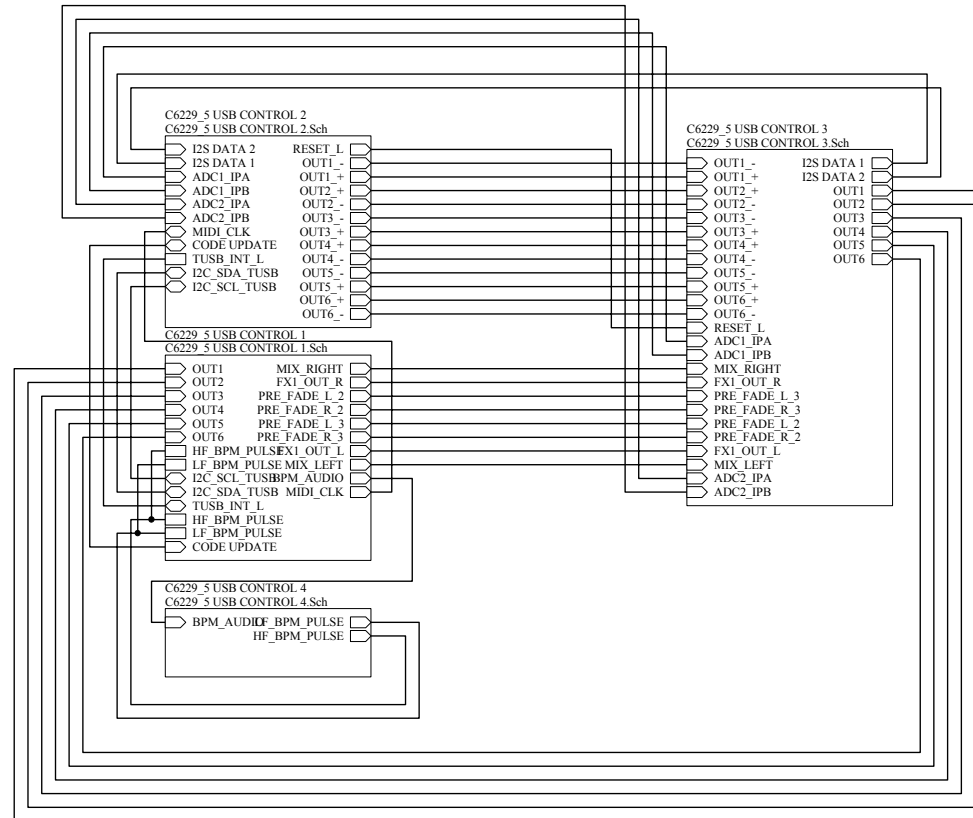


XONE 3D CPU AG6229 ISSUE 5



ALLEN&HEATH

Kernick Industrial Estate,
Penryn, Cornwall,
England. TR10 9LU

Tel: +44 (0)8707 556250
Fax: +44 (0)8707 556251

ISSUE	BY	DATE	CHK BY
5	AR	28-04-06	

FILE: C6229_5 USB CONTROL.Sch

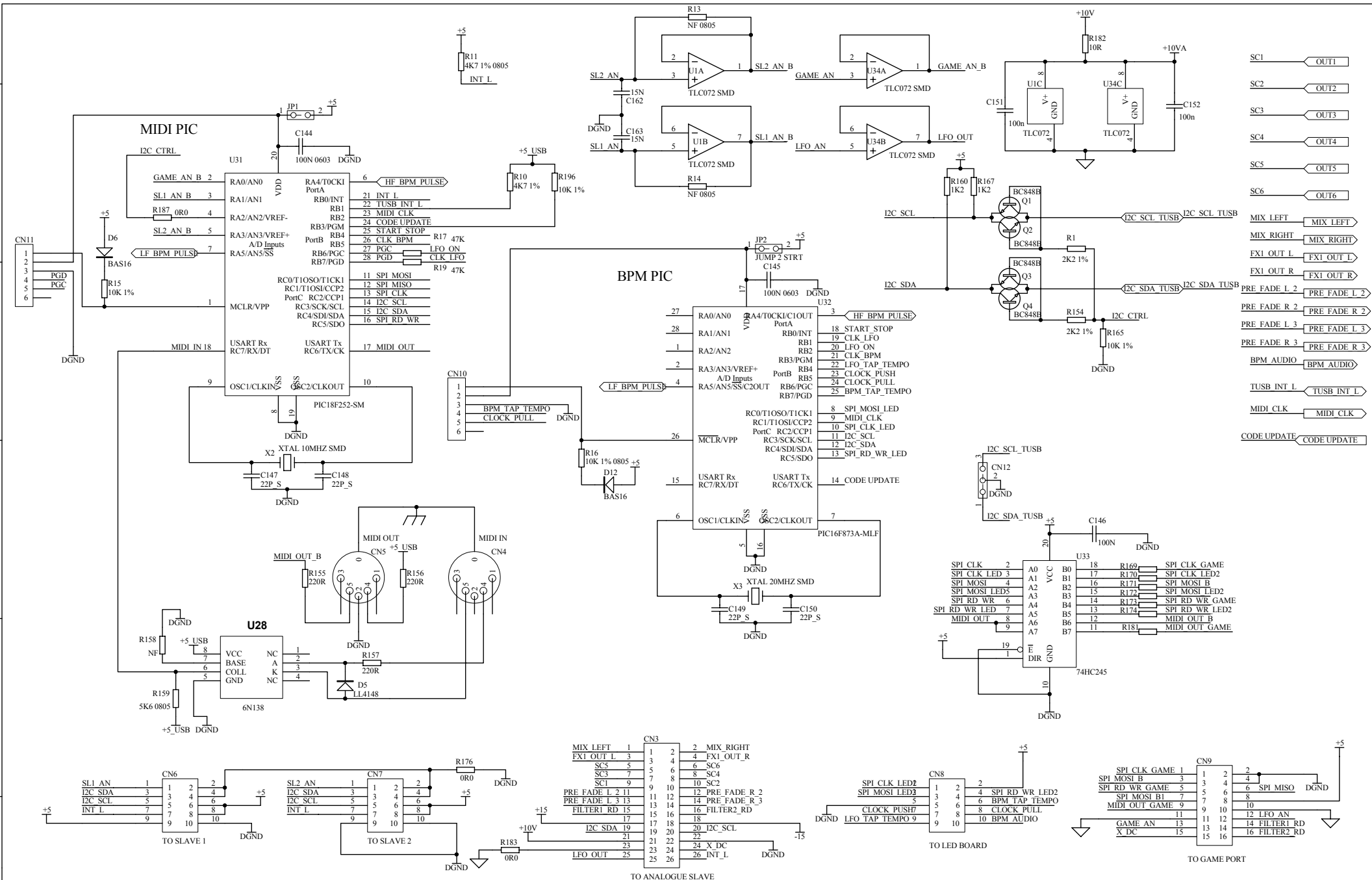
PRINTED: 14:53:16 18-Apr-2007

TITLE: XONE 3D USB CONTROL

PAGE:

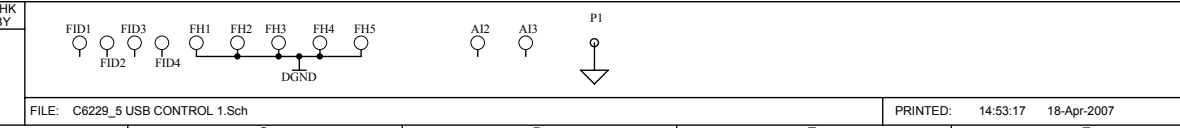
DRG No: C6229 ISSUE: 5 SHEET: 0 OF 4

A I B C D E F G H

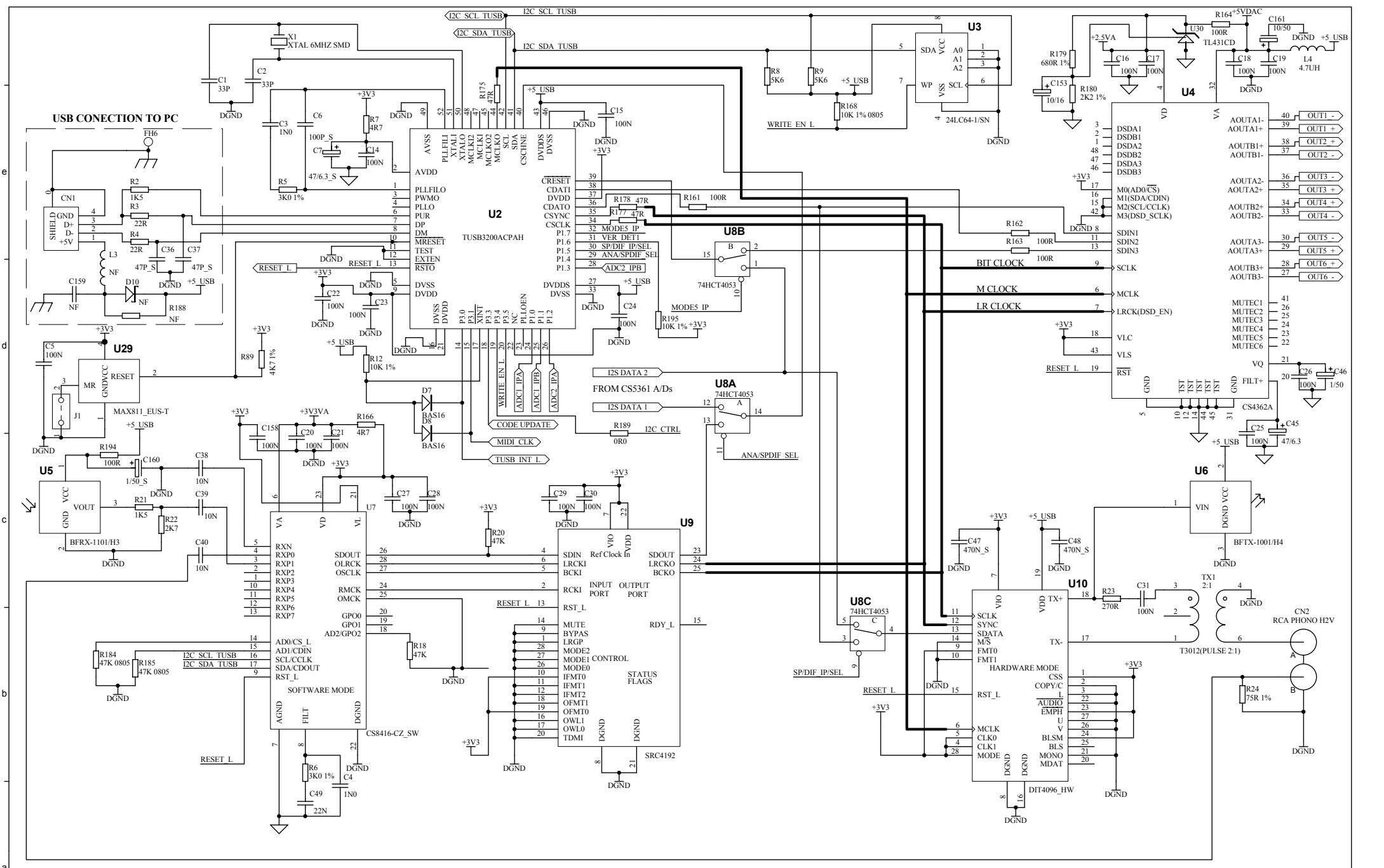


ALLEN&HEATH
 Kernick Industrial Estate,
 Penryn, Cornwall,
 England. TR10 9LU
 Tel: +44 (0)8707 556250
 Fax: +44 (0)8707 556251

ISSUE	BY	DATE	CHK BY
1	ARJ	25-11-05	
2	ARJ	1-2-06	
4	ARJ	22-04-06	
5	ARJ	28-04-06	



TITLE: **SPI/MIDI/BMP**
 PAGE:
 DRG No: **C6229** ISSUE: **5** SHEET: **1** OF **4**



ALLEN&HEATH
 Kernick Industrial Estate,
 Penryn, Cornwall,
 England. TR10 9LU
 Tel: +44 (0)8707 556250
 Fax: +44 (0)8707 556251

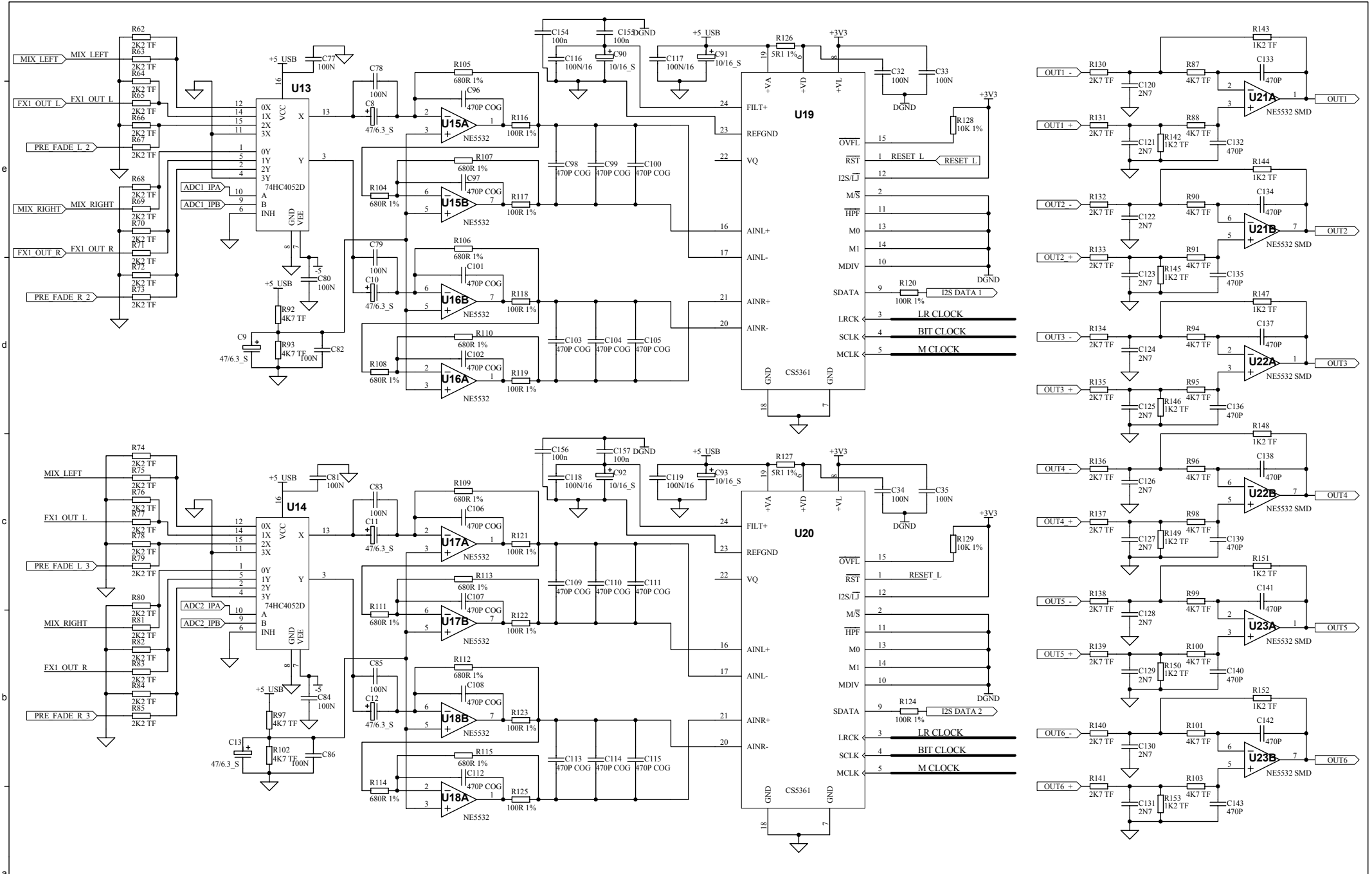
ISSUE	BY	DATE	CHK BY
1	ARJ	25-11-05	
2	ARJ	1-2-06	
4	ARJ	22-04-06	
5	ARJ	28-04-06	

FILE: C6229_5 USB CONTROL 2.Sch

PRINTED: 14:53:17 18-Apr-2007

TITLE: DIGITAL IO AND USB INTERFACE
 PAGE:

DRG No: C6229 ISSUE: 5 SHEET: 2 OF 4



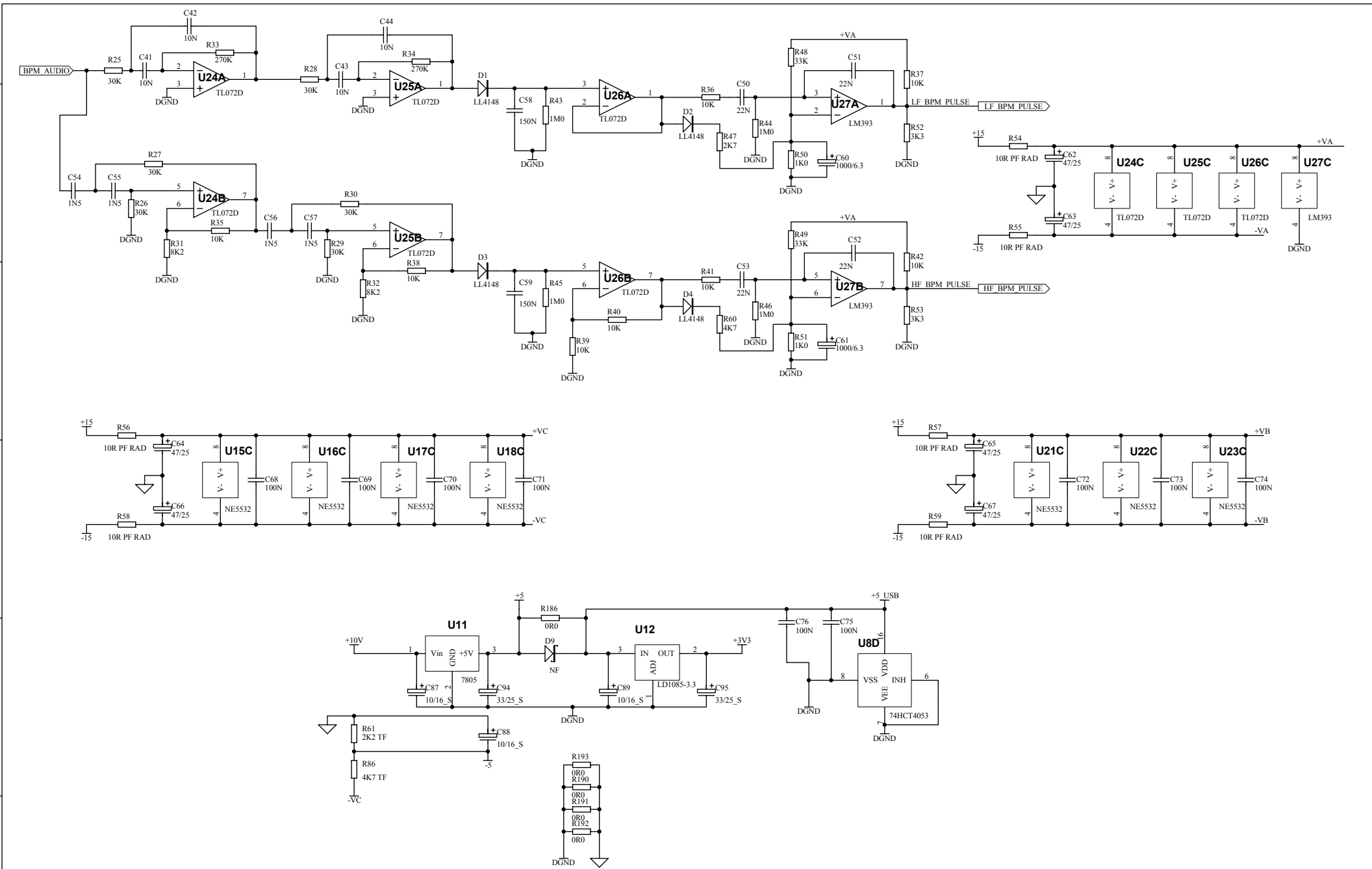
ALLEN&HEATH
 Kernick Industrial Estate,
 Penryn, Cornwall,
 England. TR10 9LU
 Tel: +44 (0)8707 556250
 Fax: +44 (0)8707 556251

ISSUE	BY	DATE	CHK BY
1	ARJ	25-11-05	
2	ARJ	1-2-06	
4	ARJ	22-04-06	
5	ARJ	28-04-06	

FILE: C6229_5 USB CONTROL 3.Sch

TITLE: **ADC AND ANALOGUE OUT**
 PAGE:
 DRG No: **C6229** ISSUE: **5** SHEET: **3** OF **4**

PRINTED: 14:53:17 18-Apr-2007



ALLEN&HEATH
 Kernick Industrial Estate,
 Penryn, Cornwall,
 England. TR10 9LU
 Tel: +44 (0)1326 372070
 Fax: +44 (0)1326 370153

ISSUE	BY	DATE	CHK BY
1	ARJ	25-11-05	
2	ARJ	1-2-06	
4	ARJ	22-04-06	
5	ARJ	28-04-06	

FILE: C6229_5 USB CONTROL 4.Sch

TITLE: **BPM ANALOGUE/ POWER SUPPLY**
 PAGE:
 DRG No: **C6229** ISSUE: **5** SHEET: **4 OF 4**

PRINTED: 14:53:18 18-Apr-2007