

C6341_5 FILTER
C6341_5 FILTER.Sch

C6341_5 FILTER2
C6341_5 FILTER2.Sch

ALLEN&HEATH

Kernick Industrial Estate,
Penryn, Cornwall,
England. TR10 9LU
Tel: +44 (0)1326 372070
Fax: +44 (0)1326 370153

ISSUE	BY	DATE	CHK BY
2 5	AAT ARJ	24-11-05 28-04-06	

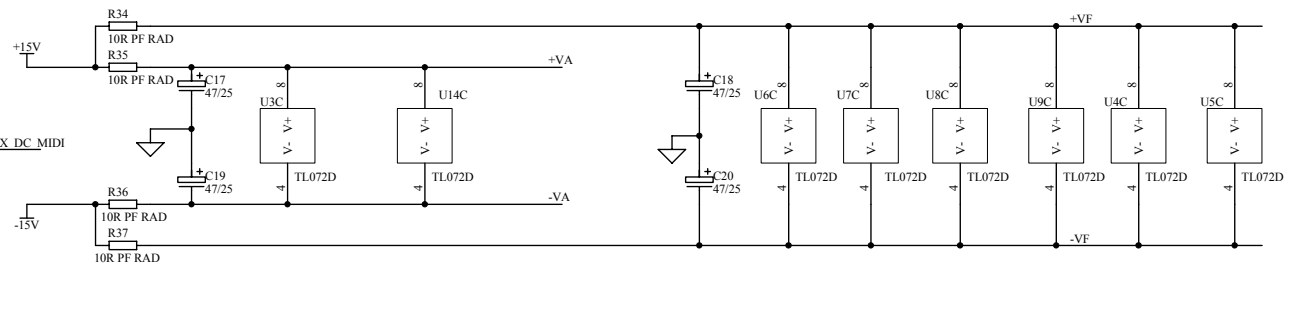
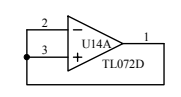
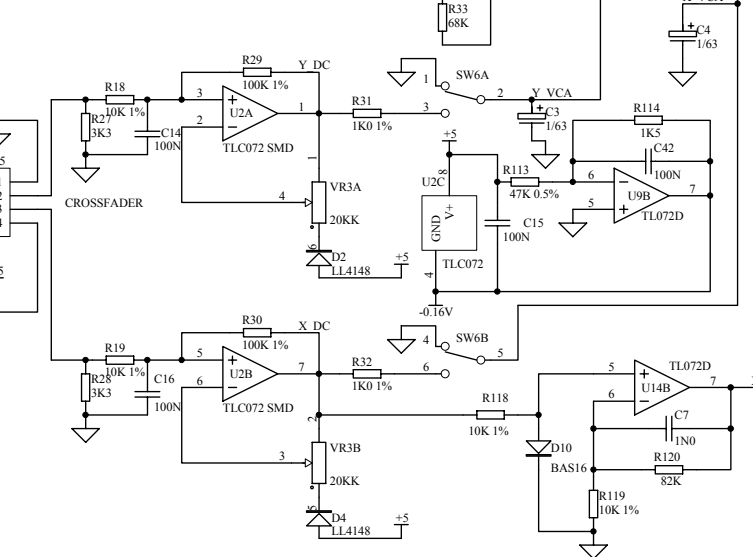
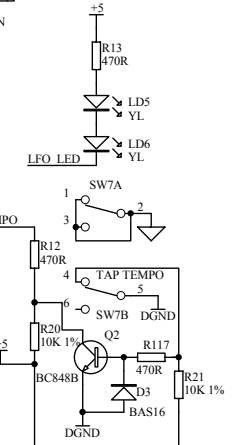
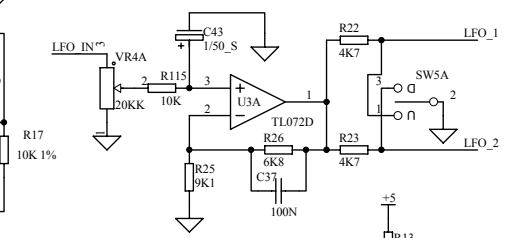
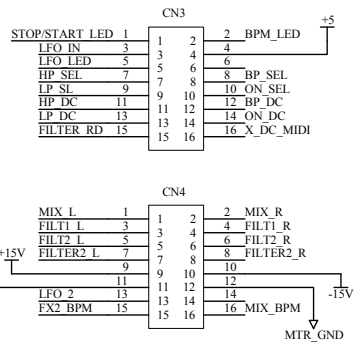
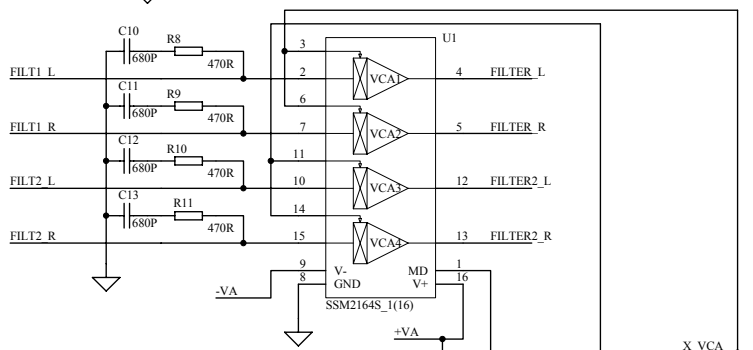
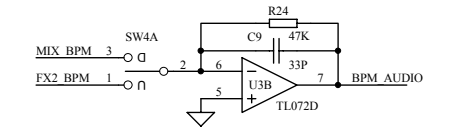
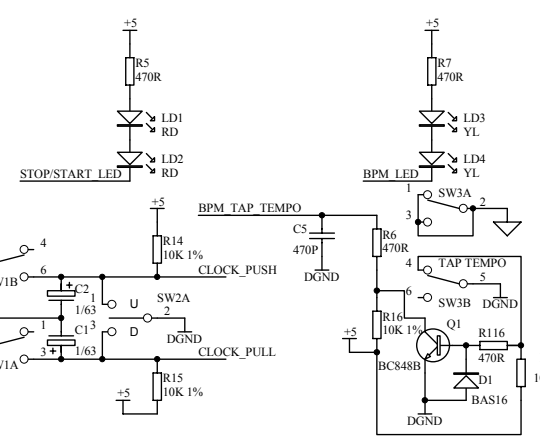
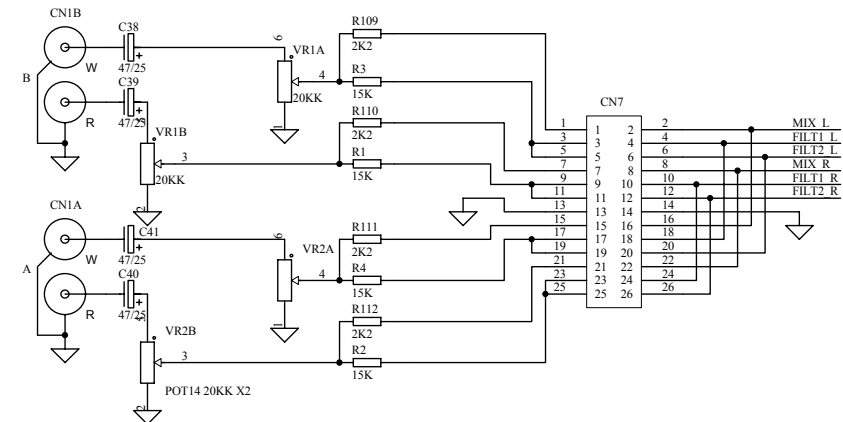
PCB ONLY (TESTPOINTS)
FILE: C6341_5.Sch

TITLE: XONE 3D FILTER PCB
PAGE:
DRG No: C6341 ISSUE: 5 SHEET: 0 OF 0

PRINTED: 15:48:54 18-Apr-2007

A I B C I D E F I G I H





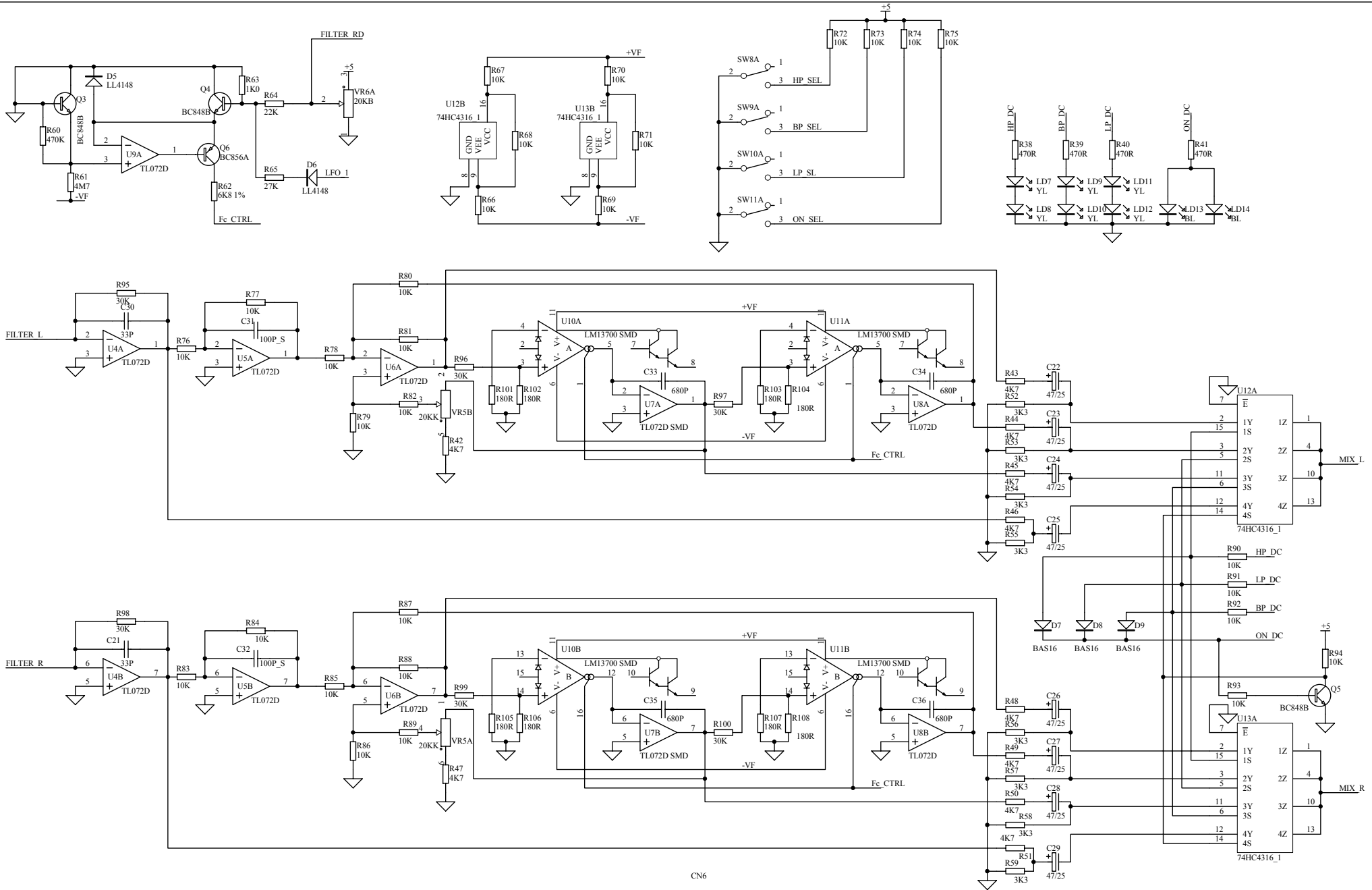
ALLEN&HEATH
 Kernick Industrial Estate,
 Penryn, Cornwall,
 England. TR10 9LU
 Tel: +44 (0)1326 372070
 Fax: +44 (0)1326 370153

ISSUE	BY	DATE	CHK BY	Text	VR5C	VR3C	SW5B	VR4B	VR2C	VR1C	SW4B	SW2B
1	ARJ	21-06-05			BRK1	BRK1	BRK1	BRK1	BRK1	BRK1	BRK1	BRK1
2	AAT	24-11-05										
3	ARJ	03-03-06										
4	ARJ	28-4-06										
5	ARJ	28-04-06										

TITLE: **XONE 3D FILTER PCB**
 PAGE:
 DRG No: **C6341** ISSUE: **5** SHEET: **1 OF 2**

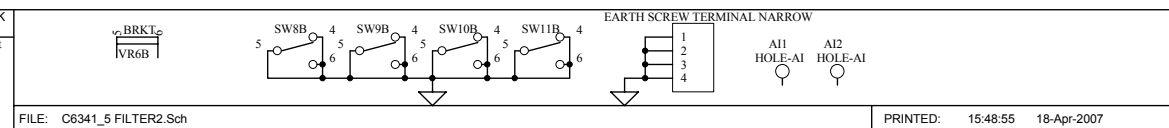
FILE: C6341_5.FILTER.Sch

PRINTED: 15:48:55 18-Apr-2007



ALLEN&HEATH
 Kernick Industrial Estate,
 Penryn, Cornwall,
 England. TR10 9LU
 Tel: +44 (0)1326 372070
 Fax: +44 (0)1326 370153

ISSUE	BY	DATE	CHK BY
1	ARJ	21-06-05	Text
2	AAT	24-11-05	
3	ARJ	03-03-06	
4	ARJ	28-04-06	
5	ARJ	XFADE MID 28-04-06	



TITLE: **XONE 3D FILTER PCB**
 PAGE:
 DRG No: **C6341** ISSUE: **5** SHEET: **2 OF 2**