

C6234\_2 MASTER PCB 1  
C6234\_2 MASTER PCB 1.Sch

C6234\_2 MASTER PCB 2  
C6234\_2 MASTER PCB 2.Sch

**ALLEN&HEATH**

Kernick Industrial Estate,  
Penryn, Cornwall,  
England. TR10 9LU  
Tel: +44 (0)8707 556250  
Fax: +44 (0)8707 556251

ISSUE	BY	DATE	CHK BY
2	AAT	24-11-05	

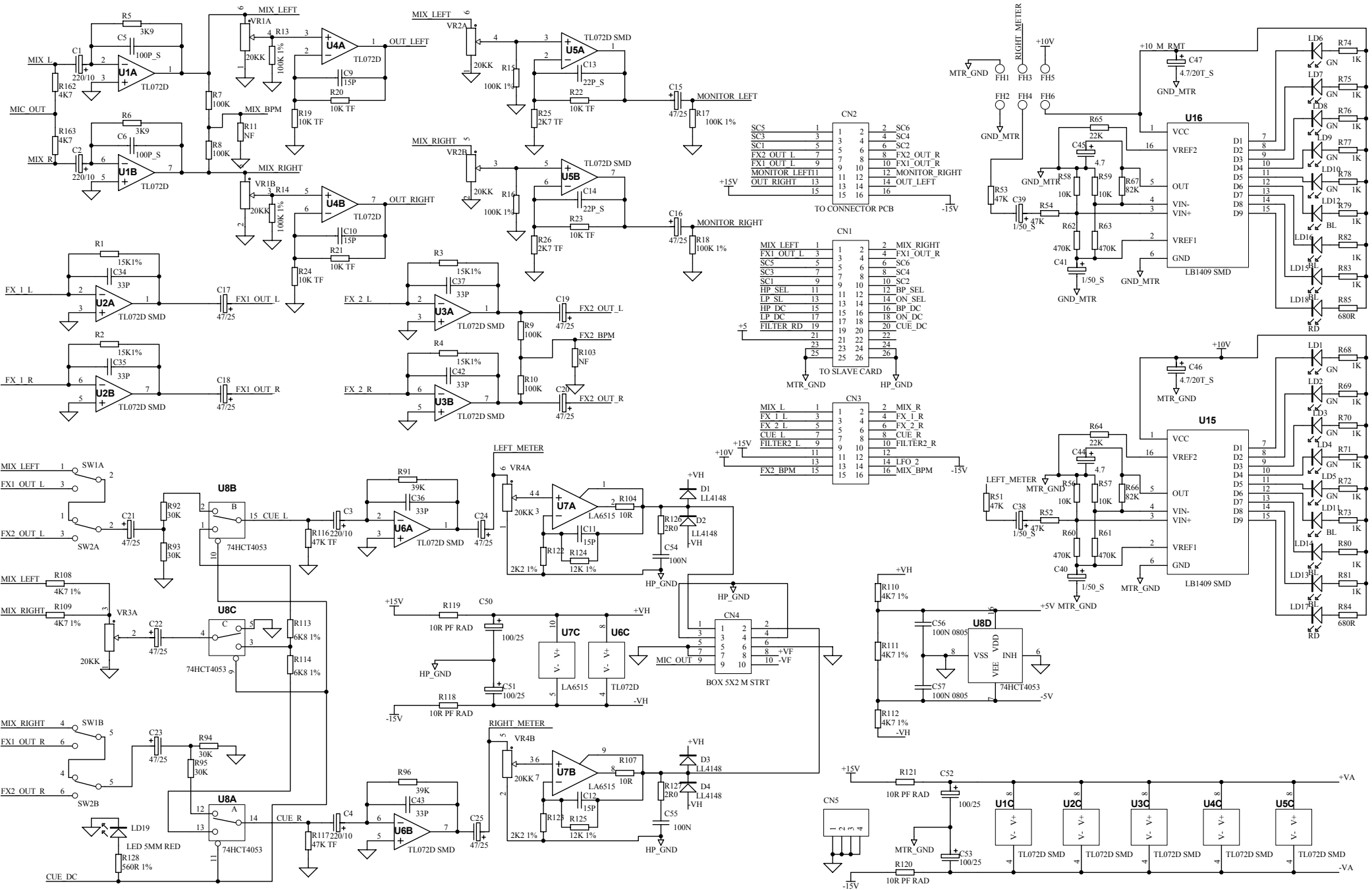
ISS 2 (PCB TESTPOINTS ONLY)
FILE: C6234_2.Sch

TITLE: XONE 3D MASTER PCB
PAGE:
DRG No: C6234 ISSUE: 2 SHEET: 0 OF 2

PRINTED: 15:11:25 18-Apr-2007

A I B C D E F G H





**ALLEN&HEATH**

Kernick Industrial Estate,  
Penryn, Cornwall,  
England. TR10 9LU  
Tel: +44 (0)8707 556250  
Fax: +44 (0)8707 556251

ISSUE	BY	DATE	CHK BY
B 2	ARJ AAT	21-06-05 24-11-05	Text

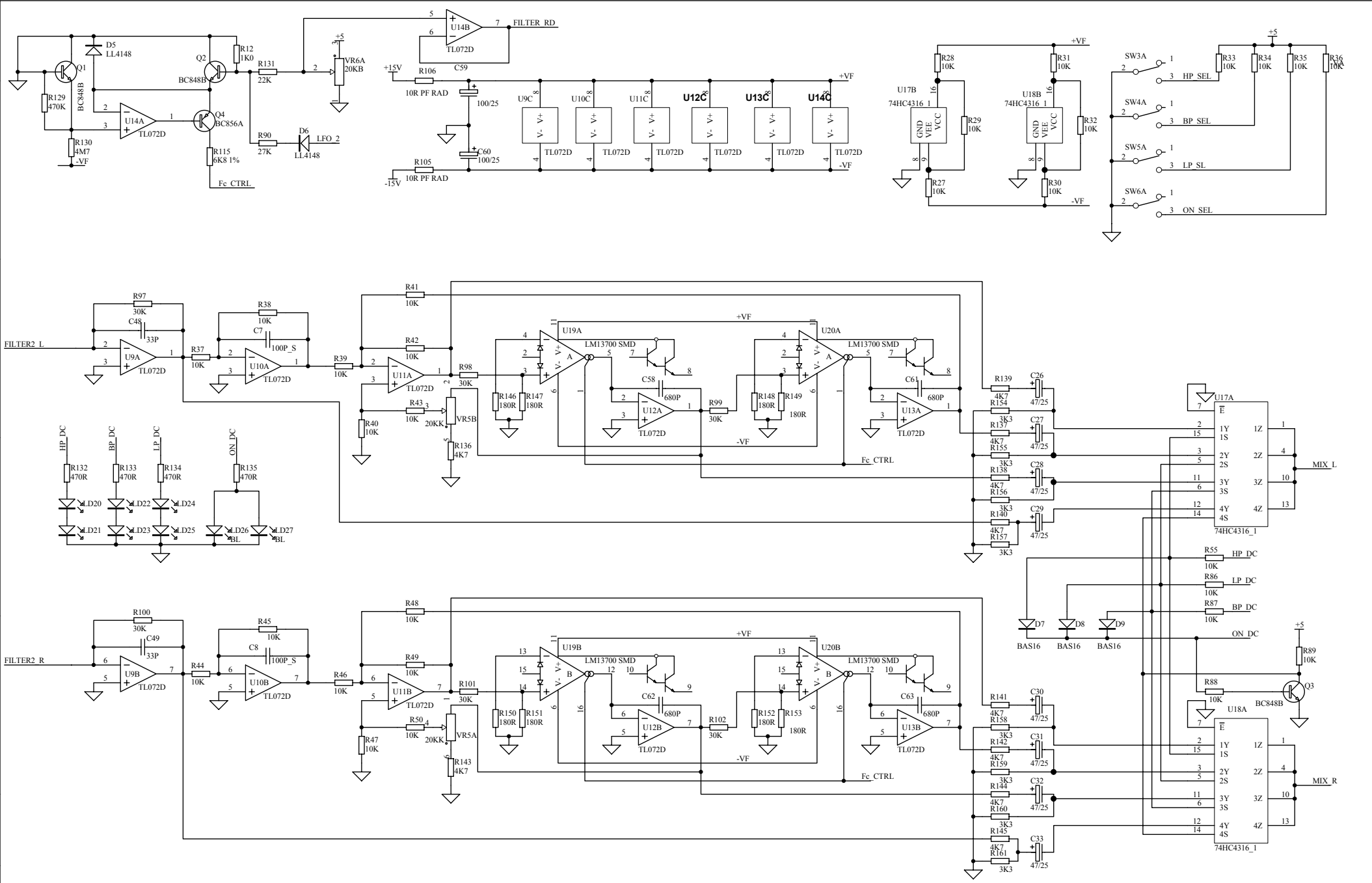
VR5C	VR4C	VR3B	VR2C	VR1C
BRK1	BRK1	BRK1	BRK1	BRK1

TITLE: XONE 3D MASTER PCB  
PAGE:

FILE: C6234\_2\_MASTER PCB 1.Sch

PRINTED: 15:11:25 18-Apr-2007

DRG No: C6234 ISSUE: 2 SHEET: 1 OF 2



**ALLEN & HEATH**  
 Kernick Industrial Estate,  
 Penryn, Cornwall,  
 England. TR10 9LU  
 Tel: +44 (0)8707 556250  
 Fax: +44 (0)8707 556251

ISSUE	BY	DATE	CHK BY	Text
B 2	ARJ AAT	21-06-05 24-11-05		

ATE1	AI1	FID1	FID4
ATE2	AI2	FID2	FID3

VR6B	BRK1c	POT11 20KB C/D	SW3B 4	SW4B 4	SW5B 4	SW6B 4	LP1	LP2	LP3	LP4
------	-------	----------------	--------	--------	--------	--------	-----	-----	-----	-----

PCB BREAKOUT S LONG	BO1	BO2	BO3	BO4
---------------------	-----	-----	-----	-----

FILE: C6234_2 MASTER PCB 2.Sch	PRINTED: 15:11:25 18-Apr-2007
--------------------------------	-------------------------------

TITLE: **XONE 3D MASTER PCB**  
 PAGE:  
 DRG No: **C6234** ISSUE: 2 SHEET: 2 OF 2