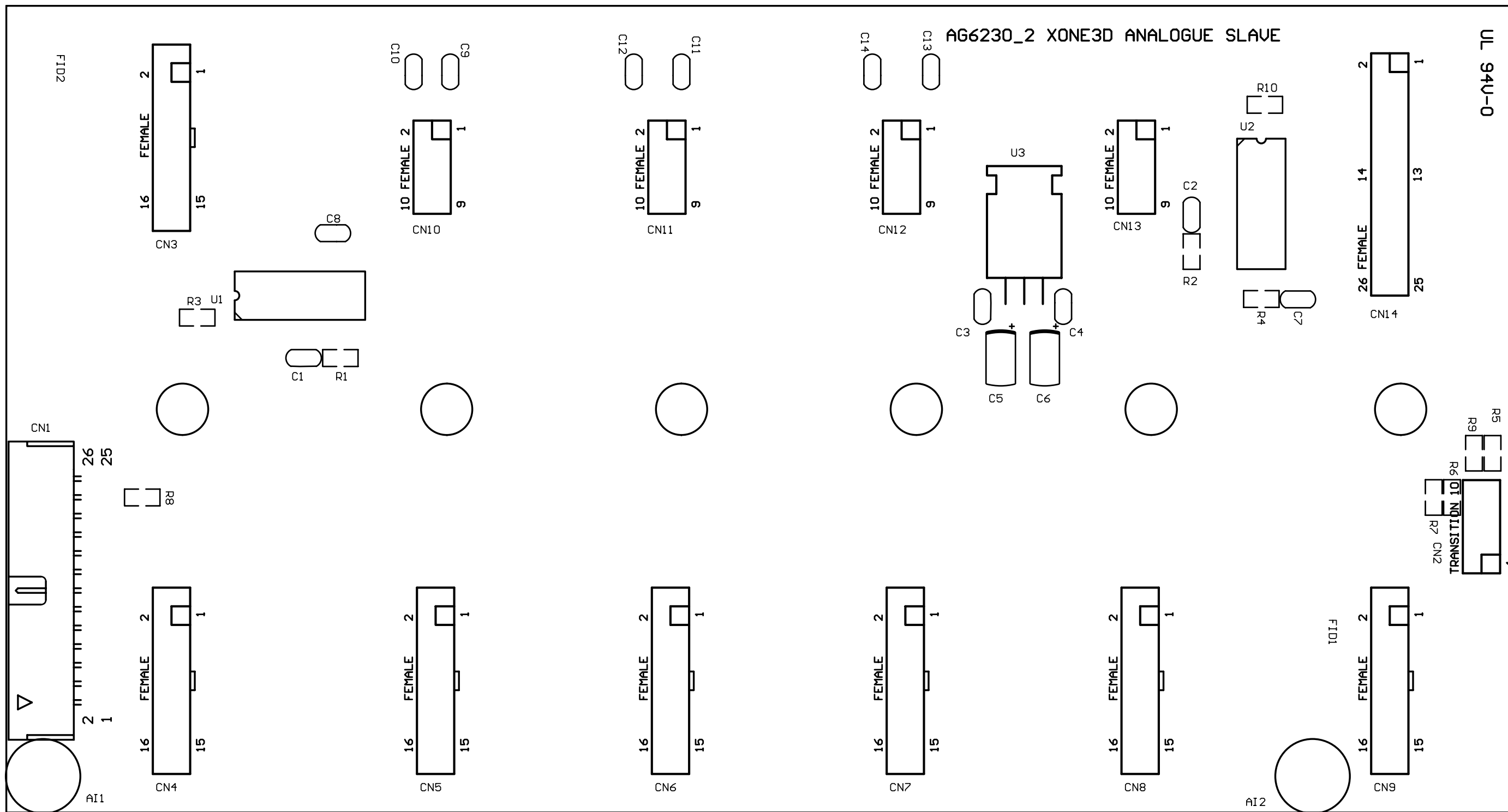


**ALLEN&HEATH**  
 Kernick Industrial Estate,  
 Penryn, Cornwall,  
 England. TR10 9LU  
 Tel: +44 (0)8707 556250  
 Fax: +44 (0)8707 556251

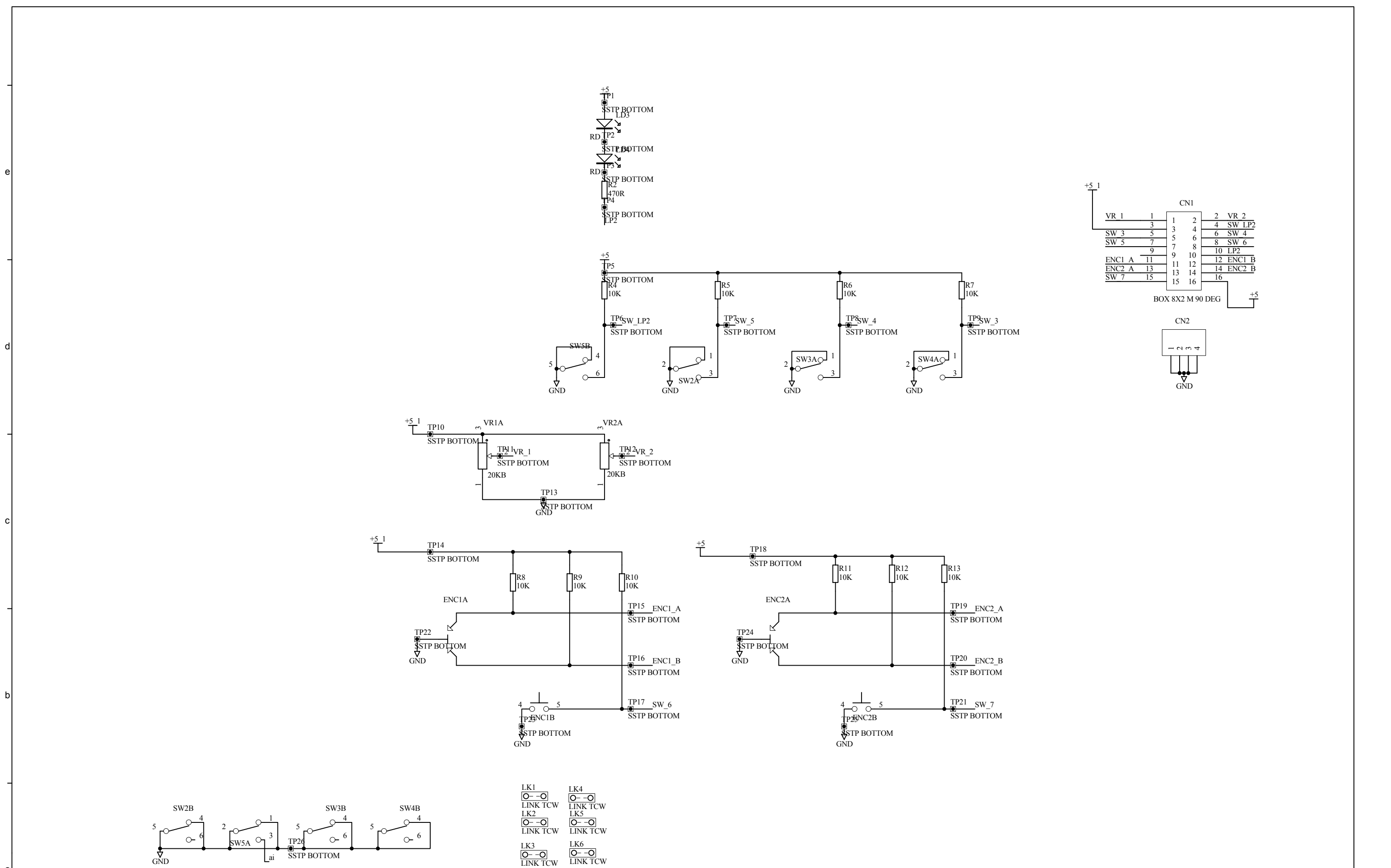
ISSUE	BY	DATE	CHK BY
2	ARJ	03-03-06	

FILE: C6230_2 ANALOGUE SLAVE.Sch	PRINTED: 14:36:26 25-Apr-2006
----------------------------------	-------------------------------

TITLE: Xone 3D analogue slave	DRG No: c6230	ISSUE: 2	SHEET: 1 OF 1
-------------------------------	---------------	----------	---------------



UL 94V-0



**ALLEN&HEATH**  
 Kernick Industrial Estate,  
 Penryn, Cornwall,  
 England. TR10 9LU  
 Tel: +44 (0)8707 556250  
 Fax: +44 (0)8707 556251

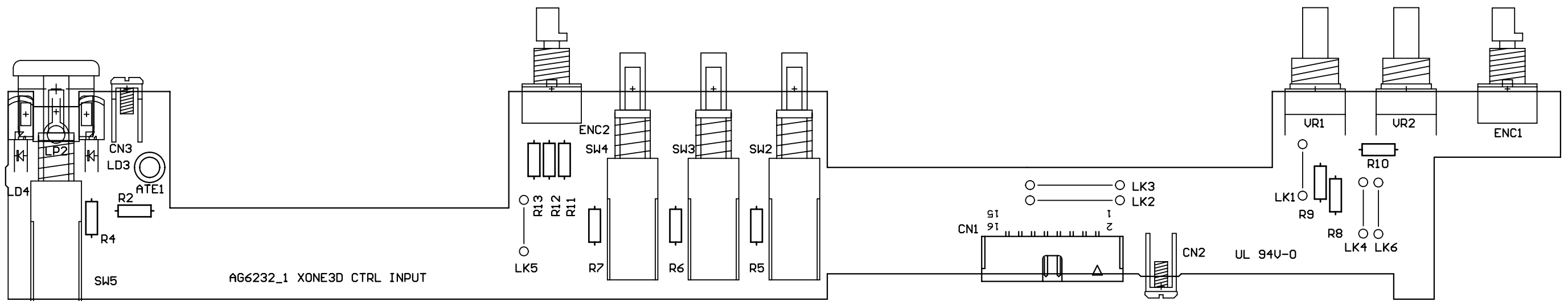
ISSUE	BY	DATE	CHK BY

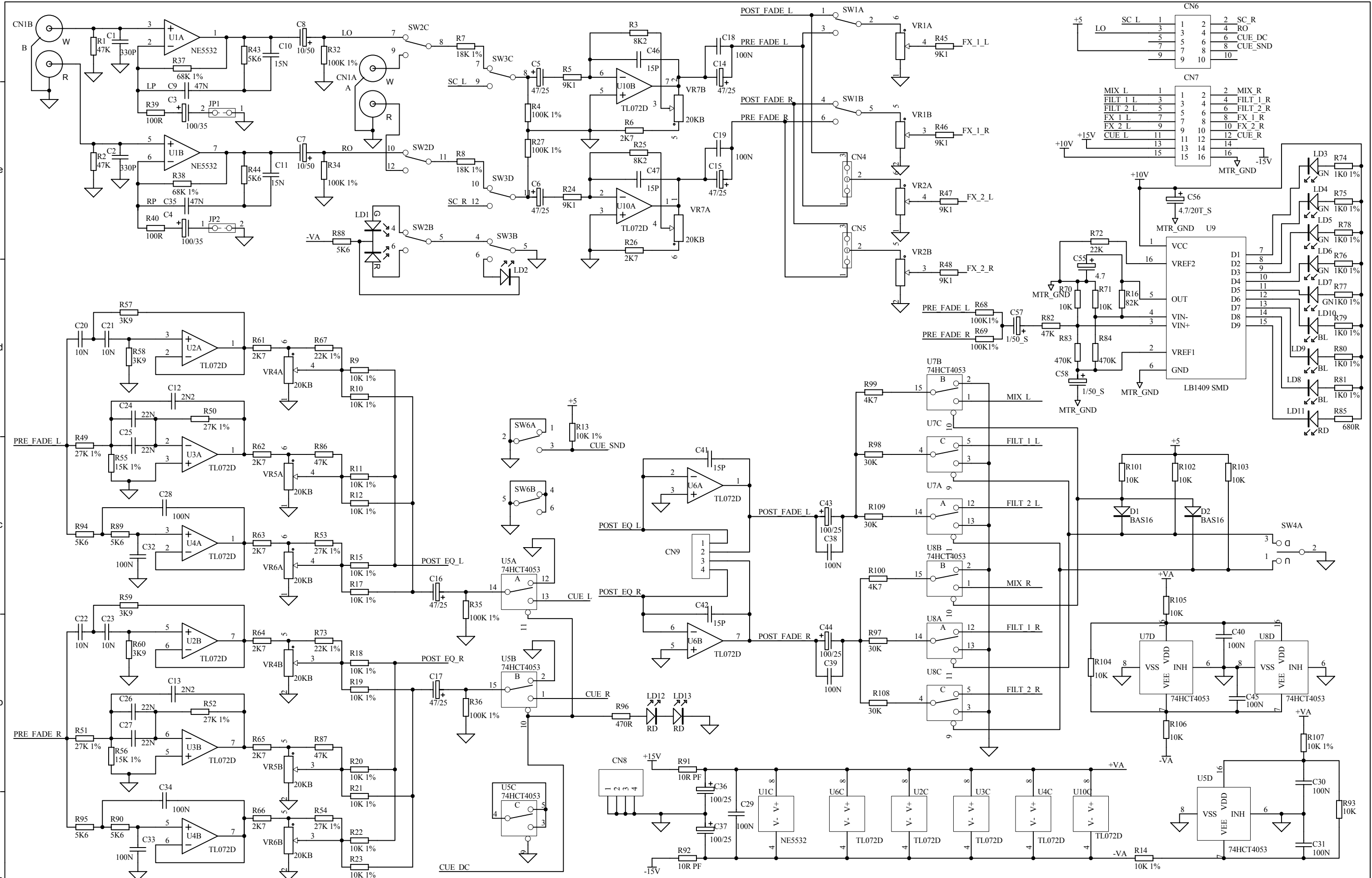
  

VR1B 20KB	VR2B 20KB	ENC1C	ENC2C	LP2 SW-LIGHTPIPE	CN3 EARTH SCREW TERMINAL NARROW	ATE1 HOLE-AI	AI1 HOLE-AI	AI2 HOLE-AI

FILE: CX6232\_1 CTRL INPUT.Sch

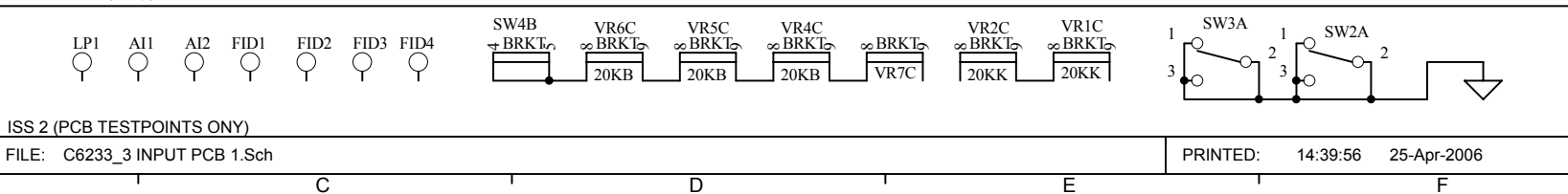
TITLE:	
PAGE:	
DRG No:	ISSUE: SHEET: 0 of 0



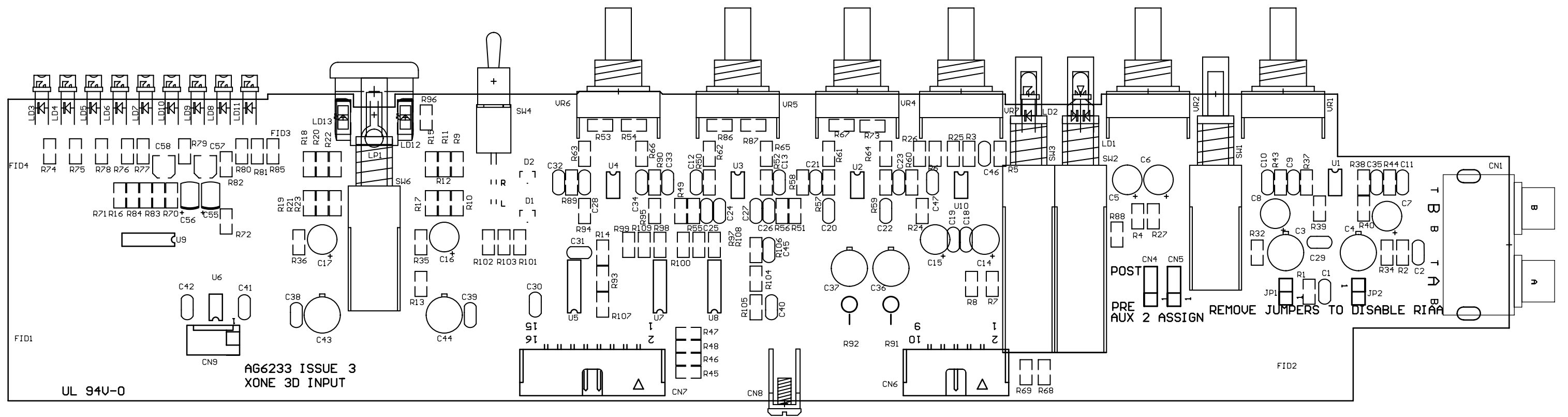


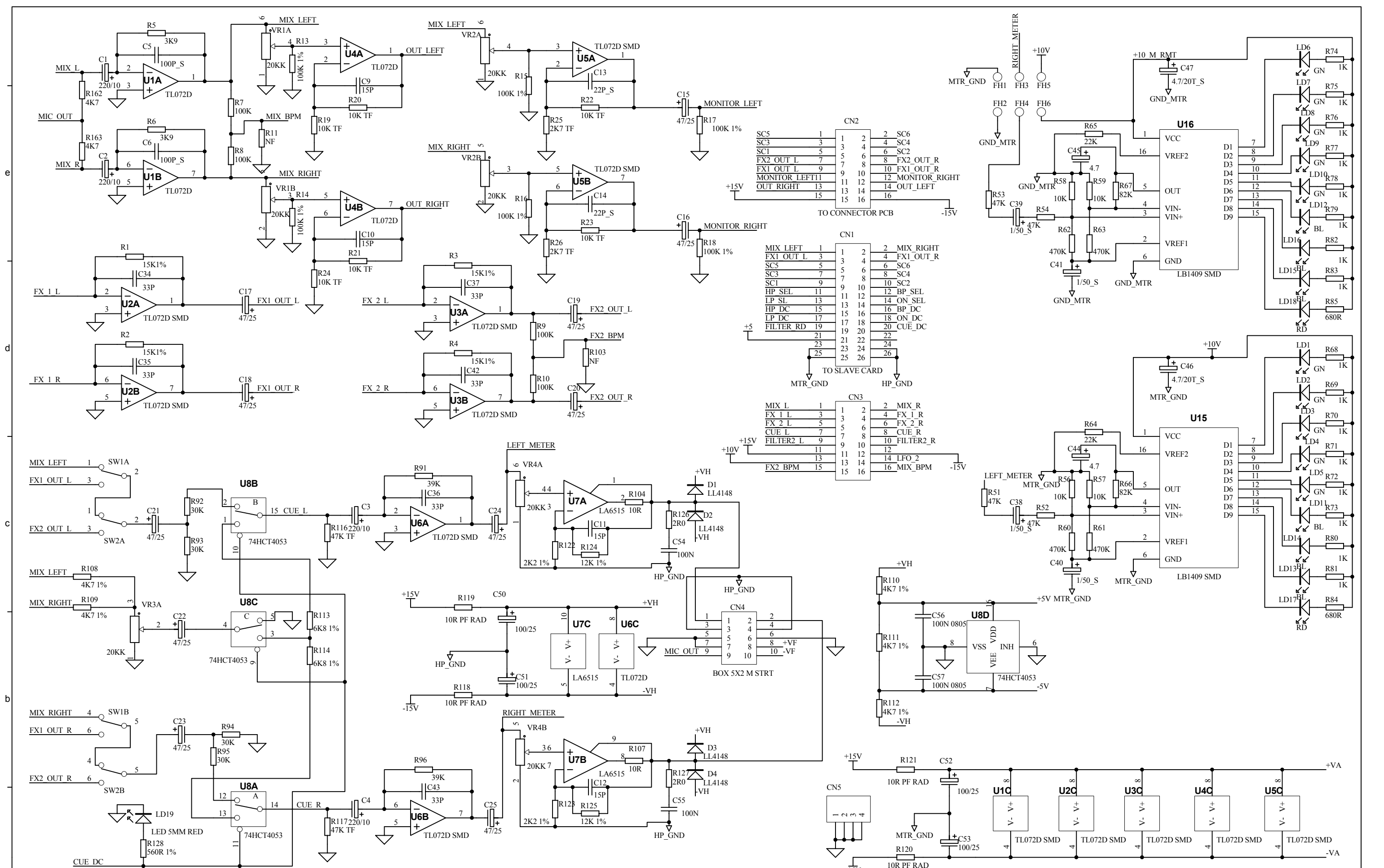
**ALLEN&HEATH**  
 Kernick Industrial Estate,  
 Penryn, Cornwall,  
 England. TR10 9LU  
 Tel: +44 (0)8707 556250  
 Fax: +44 (0)8707 556251

ISSUE	BY	DATE	CHK BY
B	ARJ AAT	21-06-05 24-11-05	Text



**TITLE: XONE 3D INPUT PCB**  
**PAGE:**  
**DRG No: C6233 ISSUE: 2 SHEET: 1 OF 1**  
 PRINTED: 14:39:56 25-Apr-2006





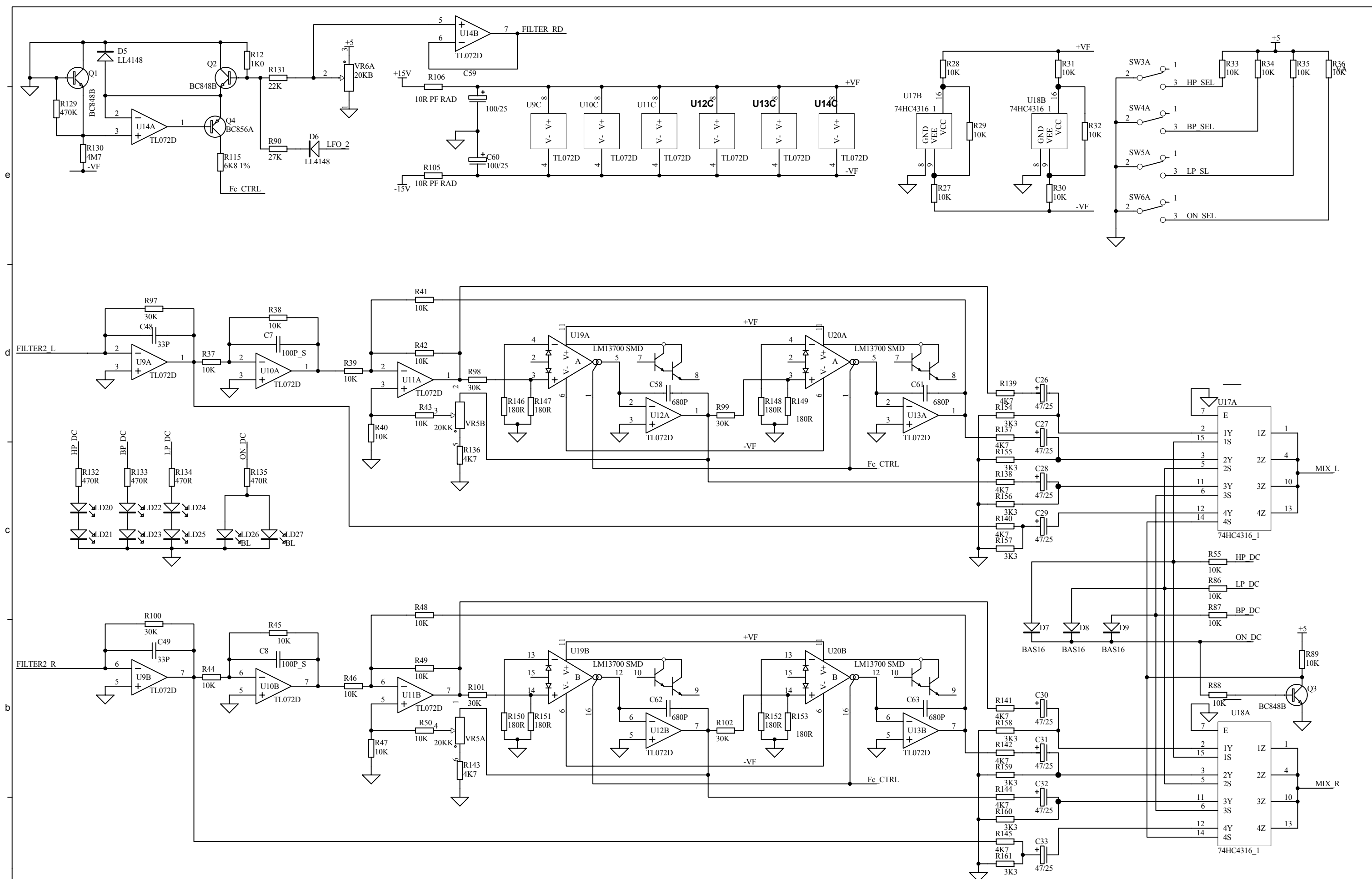
**ALLEN&HEATH**  
 Kernick Industrial Estate,  
 Penryn, Cornwall,  
 England. TR10 9LU  
 Tel: +44 (0)8707 556250  
 Fax: +44 (0)8707 556251

ISSUE	BY	DATE	CHK BY	VR5C	VR4C	VR3B	VR2C	VR1C
2	ARJ AAT	21-06-05 24-11-05	Text	∞ BRKT	∞ BRKT	∞ BRKT	∞ BRKT	∞ BRKT

FILE: C6234\_2 MASTER PCB 1.Sch

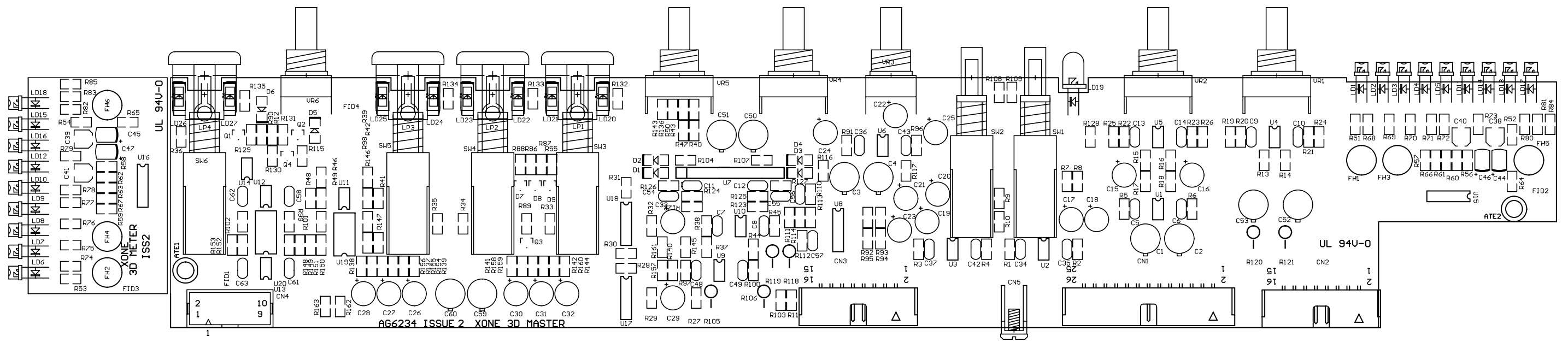
TITLE: **XONE 3D MASTER PCB**  
 PAGE:  
 DRG No: C6234 ISSUE: 2 SHEET: 1 OF 2

PRINTED: 14:40:19 25-Apr-2006

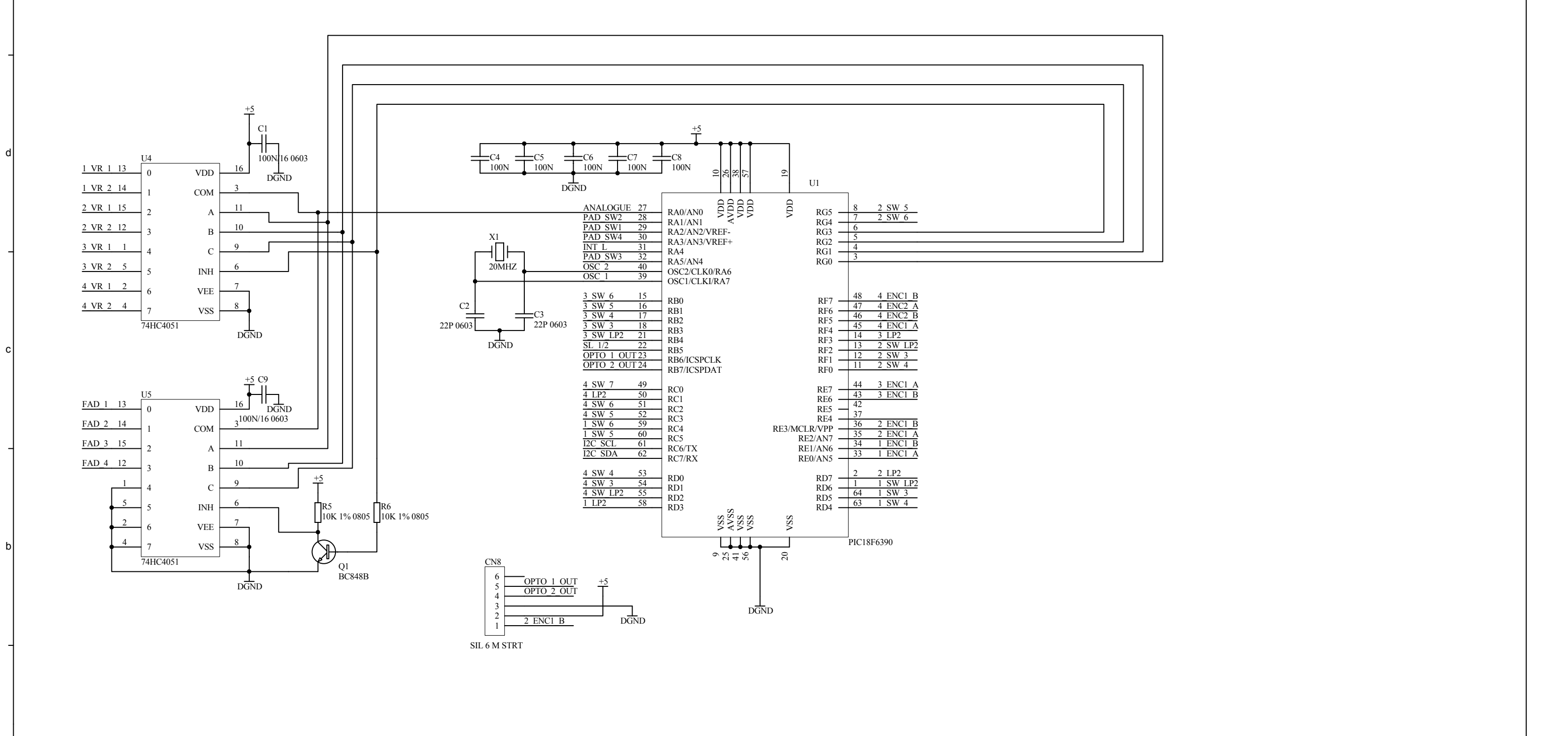
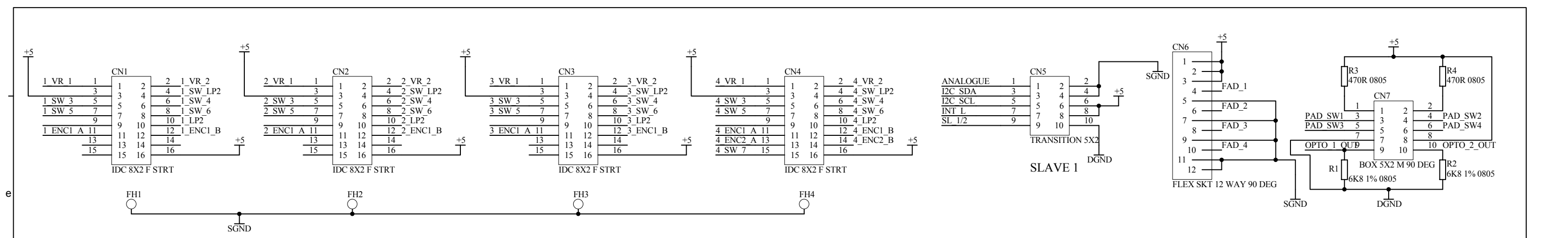


<b>ALLEN&amp;HEATH</b> Kernick Industrial Estate, Penryn, Cornwall, England. TR10 9LU Tel: +44 (0)8707 556250 Fax: +44 (0)8707 556251	ISSUE	BY	DATE	CHK BY	ATE1 A11 FID1 FID4 ATE2 A12 FID2 FID3				VR6B BRKT POT11 20KB C/D	SW3B 4 SW4B 4 SW5B 4 SW6B 4	LP1 LP2 LP3 LP4	PCB BREAKOUT S LONG ○BO1 ○BO2 ○BO3 ○BO4	TITLE: XONE 3D MASTER PCB PAGE:
	B	ARJ AAT	21-06-05 24-11-05	Text	FILE: C6234_2 MASTER PCB 2.Sch				PRINTED: 14:40:20 25-Apr-2006	DRG No: C6234 ISSUE: 2 SHEET: 2 OF 2			
	A B C D E F G												

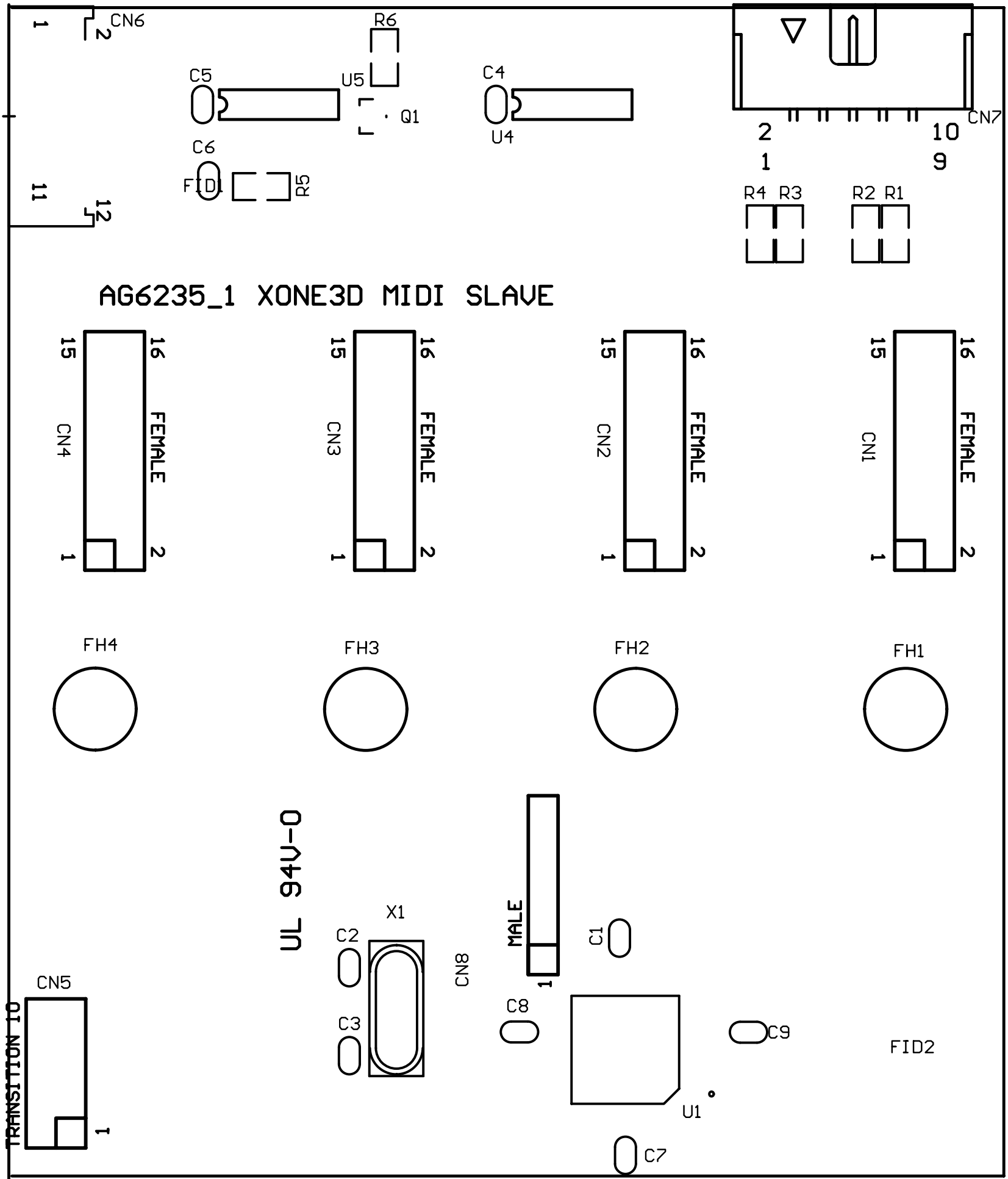


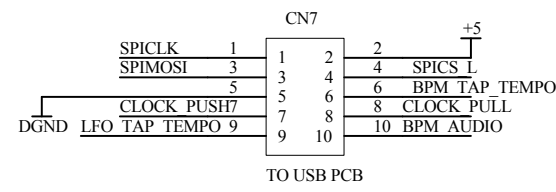
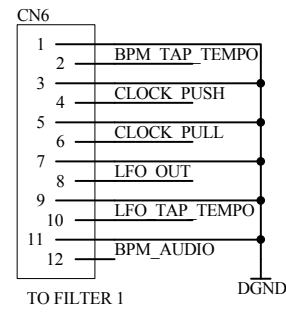
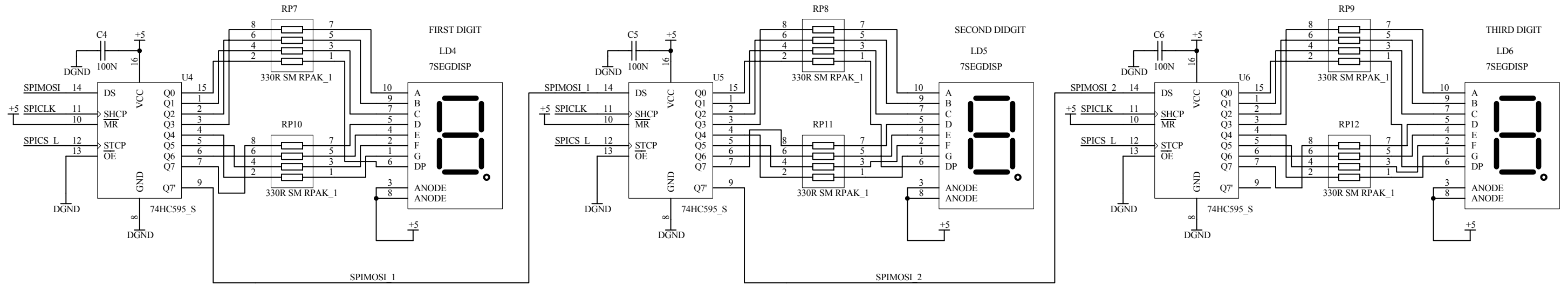


AG6234 ISSUE 2 XONE 3D MASTER



<b>ALLEN&amp;HEATH</b> Kernick Industrial Estate, Penryn, Cornwall, England. TR10 9LU Tel: +44 (0)8707 556250 Fax: +44 (0)8707 556251	ISSUE	BY	DATE	CHK BY	FID1 FID2 	TITLE: <b>SLAVE CARD</b>
						FILE: C6235_1 MIDI SLAVE.Sch
					PRINTED: 14:40:40 25-Apr-2006	DRG No: CXXXX ISSUE: A SHEET: 1 OF 1





**ALLEN&HEATH**  
 Kernick Industrial Estate,  
 Penryn, Cornwall,  
 England. TR10 9LU  
 Tel: +44 (0)8707 556250  
 Fax: +44 (0)8707 556251

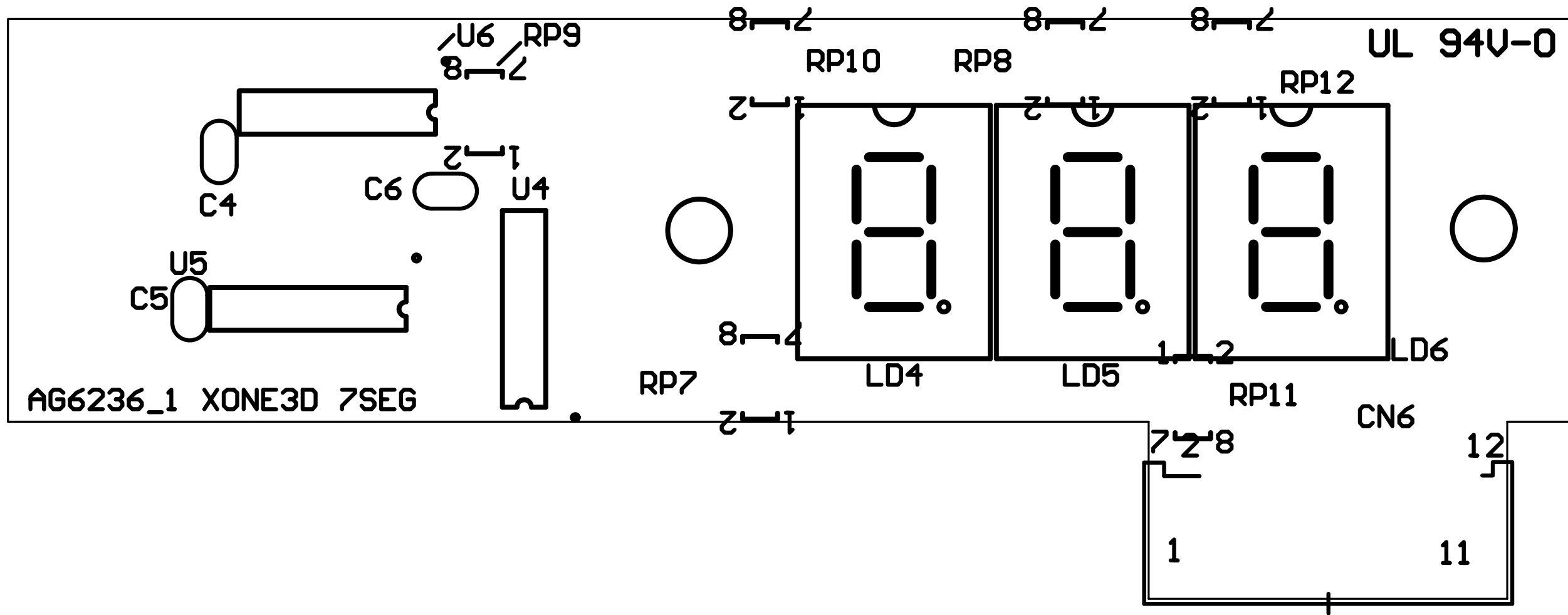
ISSUE	BY	DATE	CHK BY
B 1	RW ARJ	15-5-05 13-10-05	

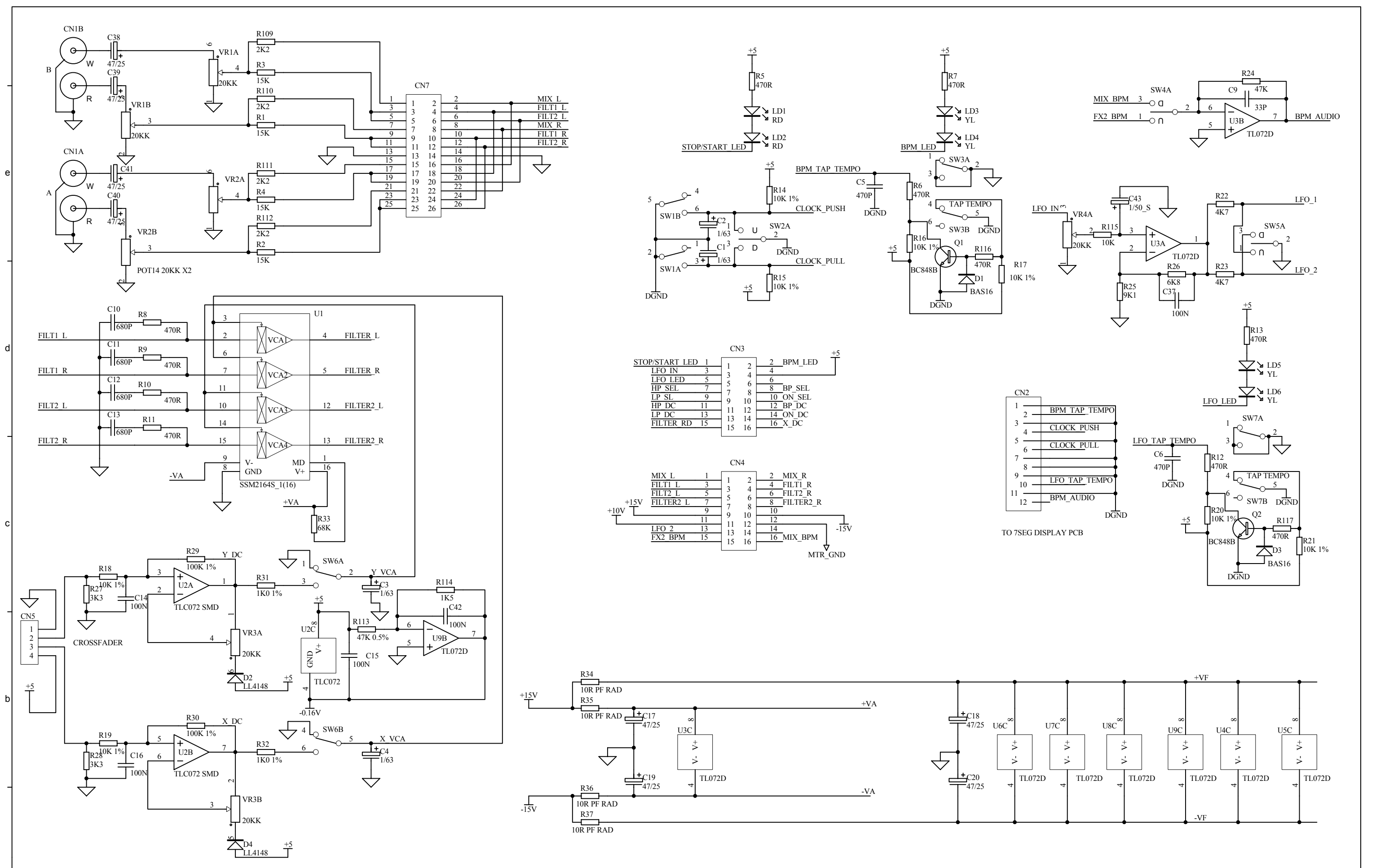
FID3	FID4	FH3	FH4
○	○	○	○

FILE: AG6236\_1 7 SEG DISPLAY.Sch

TITLE: LED DISPLAY PCB
PAGE:
DRG No: C6236 ISSUE: 1 SHEET: 1 OF 1

PRINTED: 14:42:12 25-Apr-2006

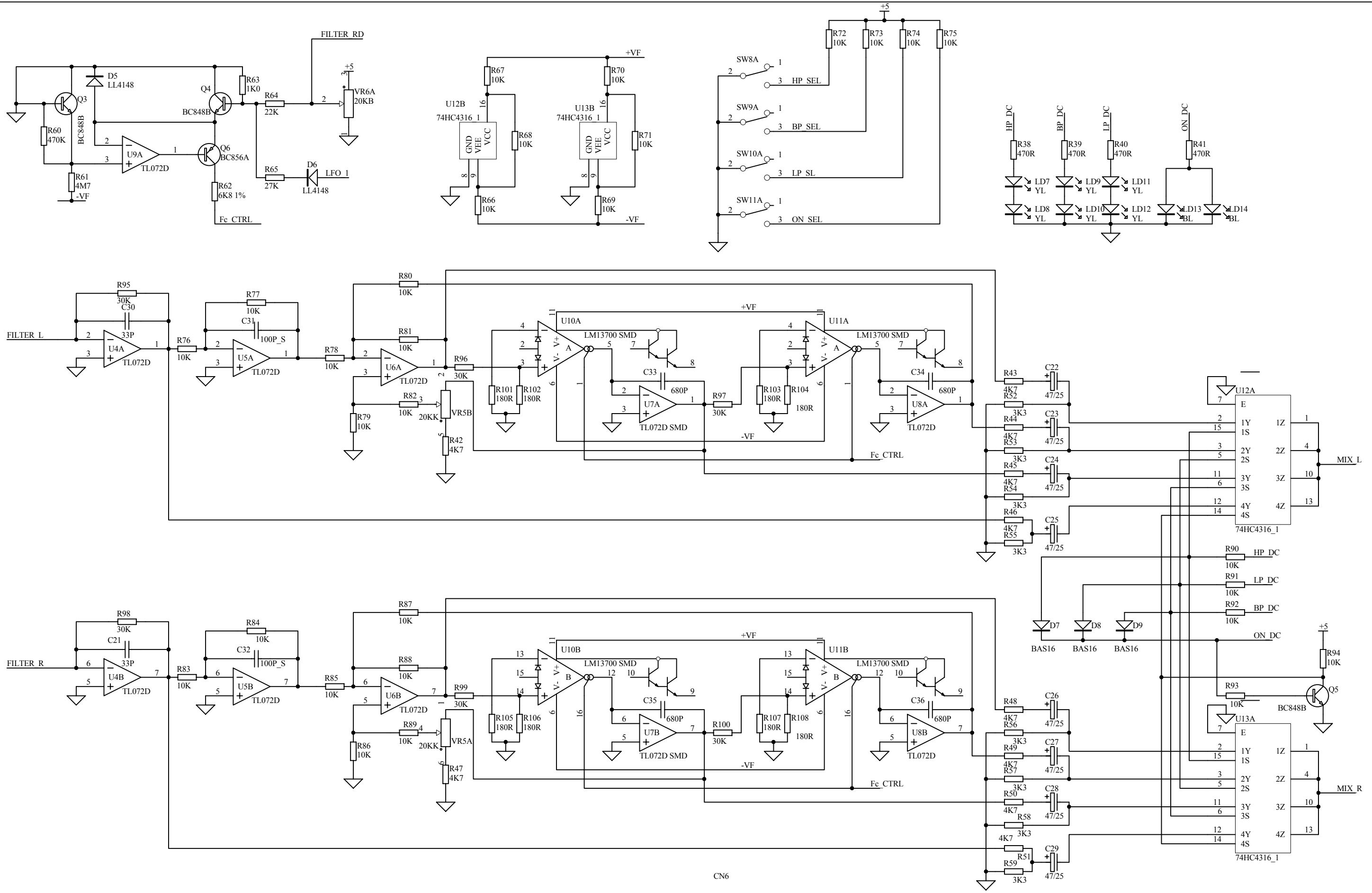




<b>ALLEN&amp;HEATH</b> Kernick Industrial Estate, Penryn, Cornwall, England. TR10 9LU Tel: +44 (0)1326 372070 Fax: +44 (0)1326 370153	ISSUE	BY	DATE	CHK BY	VR5C	VR3C	SW5B	VR4B	VR2C	VR1C	SW4B	SW2B	LP1	LP3	LP5	LP7	FID1	TITLE: XONE 3D FILTER PCB PAGE: DRG No: C6341 ISSUE: 3 SHEET: 1 OF 2
	A	ARJ	21-06-05	Text	∞	∞	∞	∞	∞	∞	∞	∞	∞	∞	∞	∞	∞	
	2	AAT	24-11-05															

FILE: C6341\_3\_FILTER.Sch

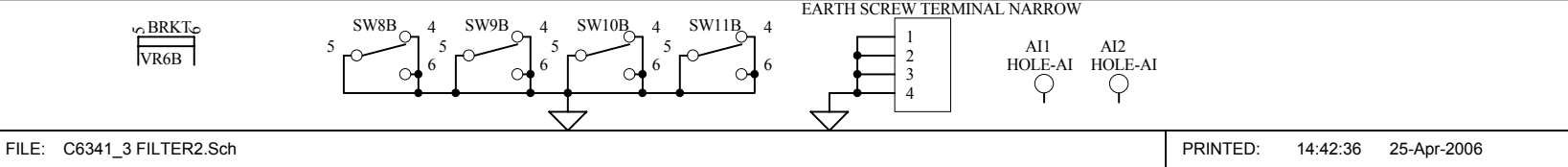
PRINTED: 14:42:36 25-Apr-2006



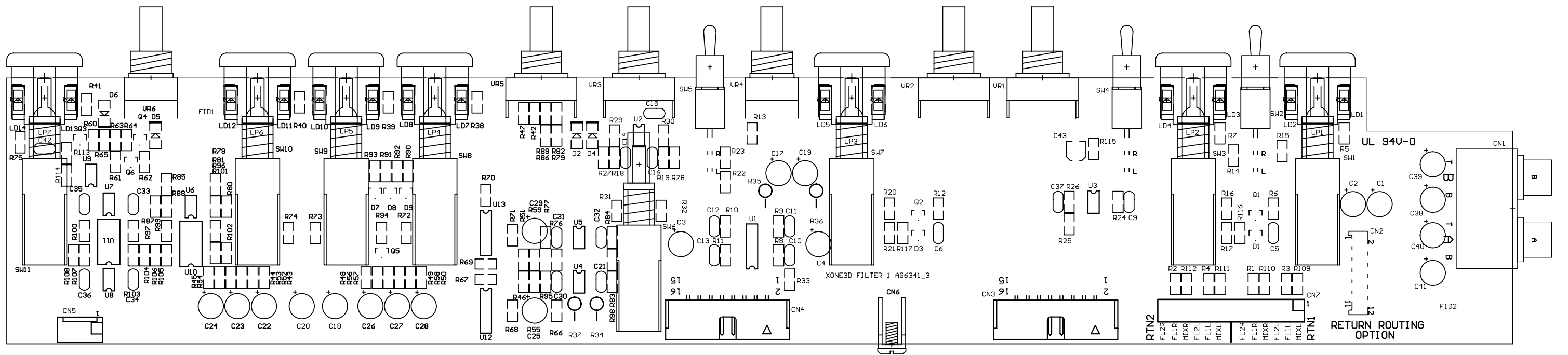
**ALLEN&HEATH**

Kernick Industrial Estate,  
Penryn, Cornwall,  
England. TR10 9LU  
Tel: +44 (0)1326 372070  
Fax: +44 (0)1326 370153

ISSUE	BY	DATE	CHK BY
A	ARJ	21-06-05	Text
2	AAT	24-11-05	
3	ARJ	03-03-06	



TITLE: **XONE 3D FILTER PCB**  
PAGE:  
DRG No: C6341 ISSUE: 3 SHEET: 2 OF 2





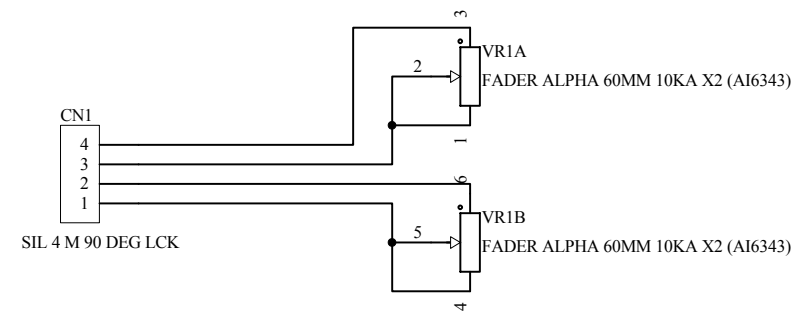
e

d

c

b

a



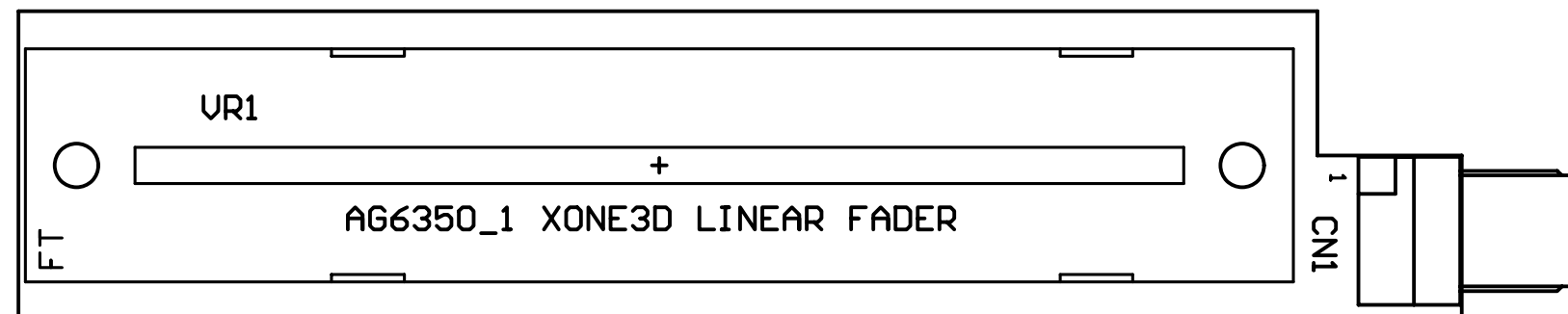
**ALLEN&HEATH**  
 Kernick Industrial Estate,  
 Penryn, Cornwall,  
 England. TR10 9LU  
 Tel: +44 (0)1326 372070  
 Fax: +44 (0)1326 370153

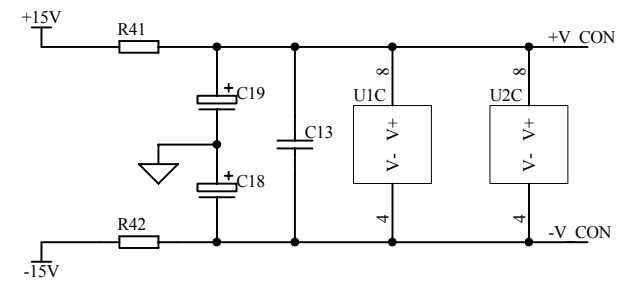
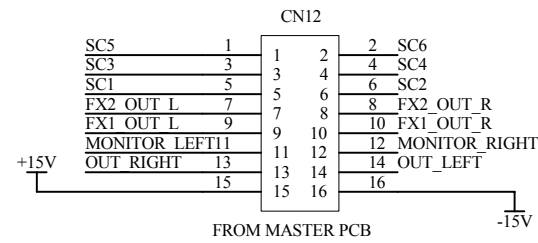
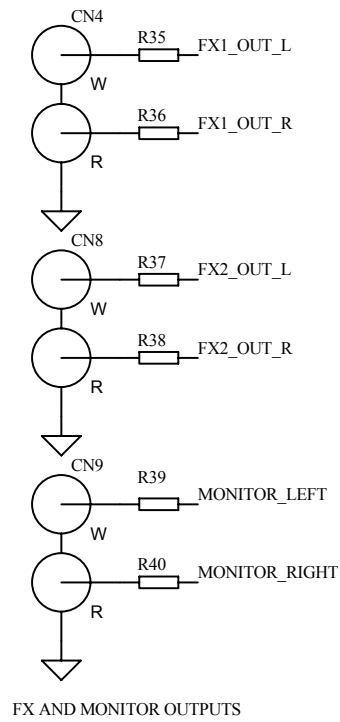
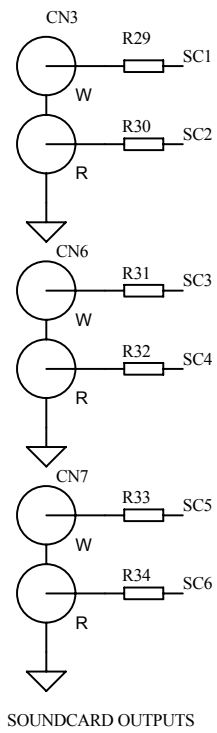
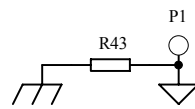
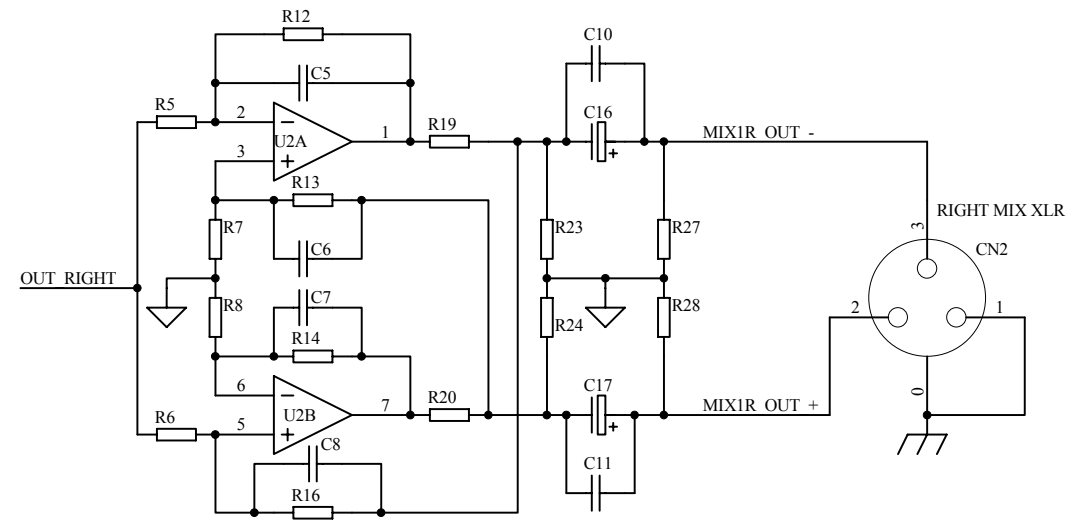
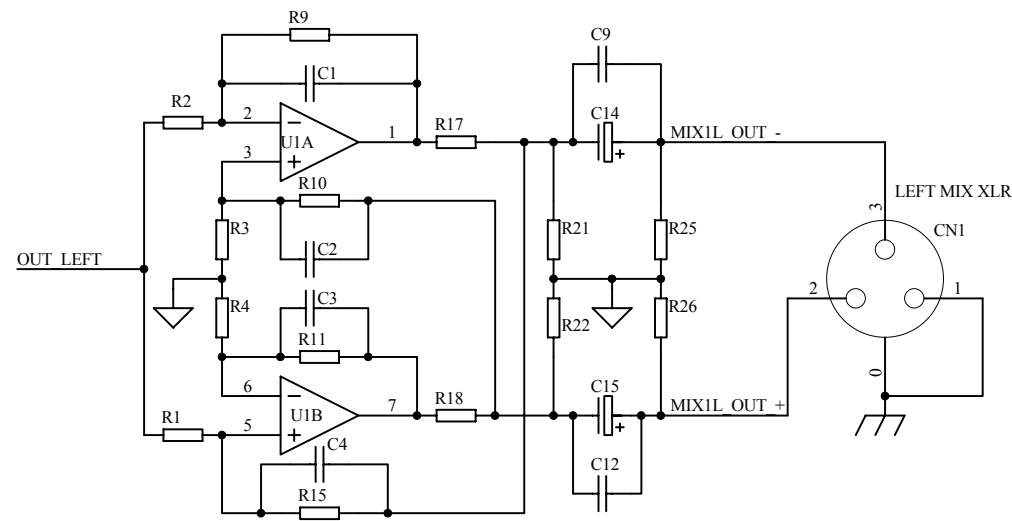
ISSUE	BY	DATE	CHK BY
1	ARJ	13-10-05	

FILE: C6350\_1 LINEAR FADER.Sch

PRINTED: 14:43:18 25-Apr-2006

TITLE: **XONE 3D CHANNEL FADER**  
 PAGE:  
 DRG No: **C6350** ISSUE: I SHEET: 1 OF 1





**ALLEN&HEATH**

Kernick Industrial Estate,  
Penryn, Cornwall,  
England. TR10 9LU  
Tel: +44 (0)8707 556250  
Fax: +44 (0)8707 556251

ISSUE	BY	DATE	CHK BY
1	ARJ	04-11-05	

C6231\_2 PANEL.Sch



C6231\_2 PANEL

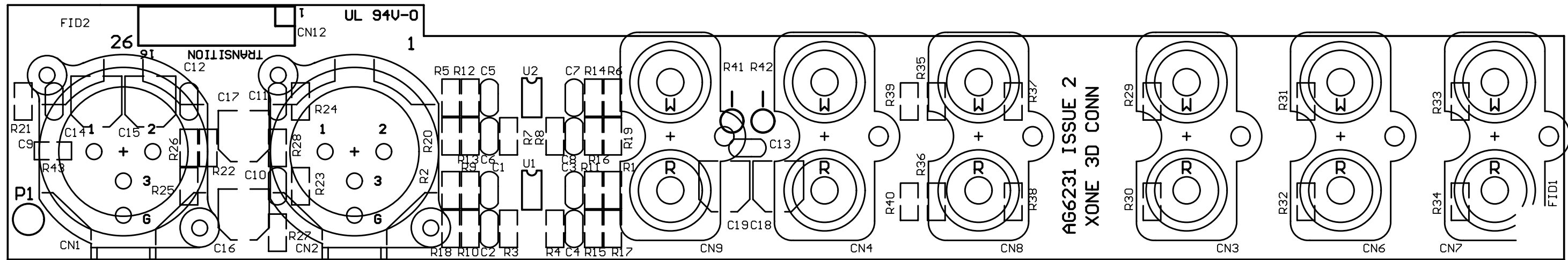
FILE: C6231\_2 CONNECTOR.Sch

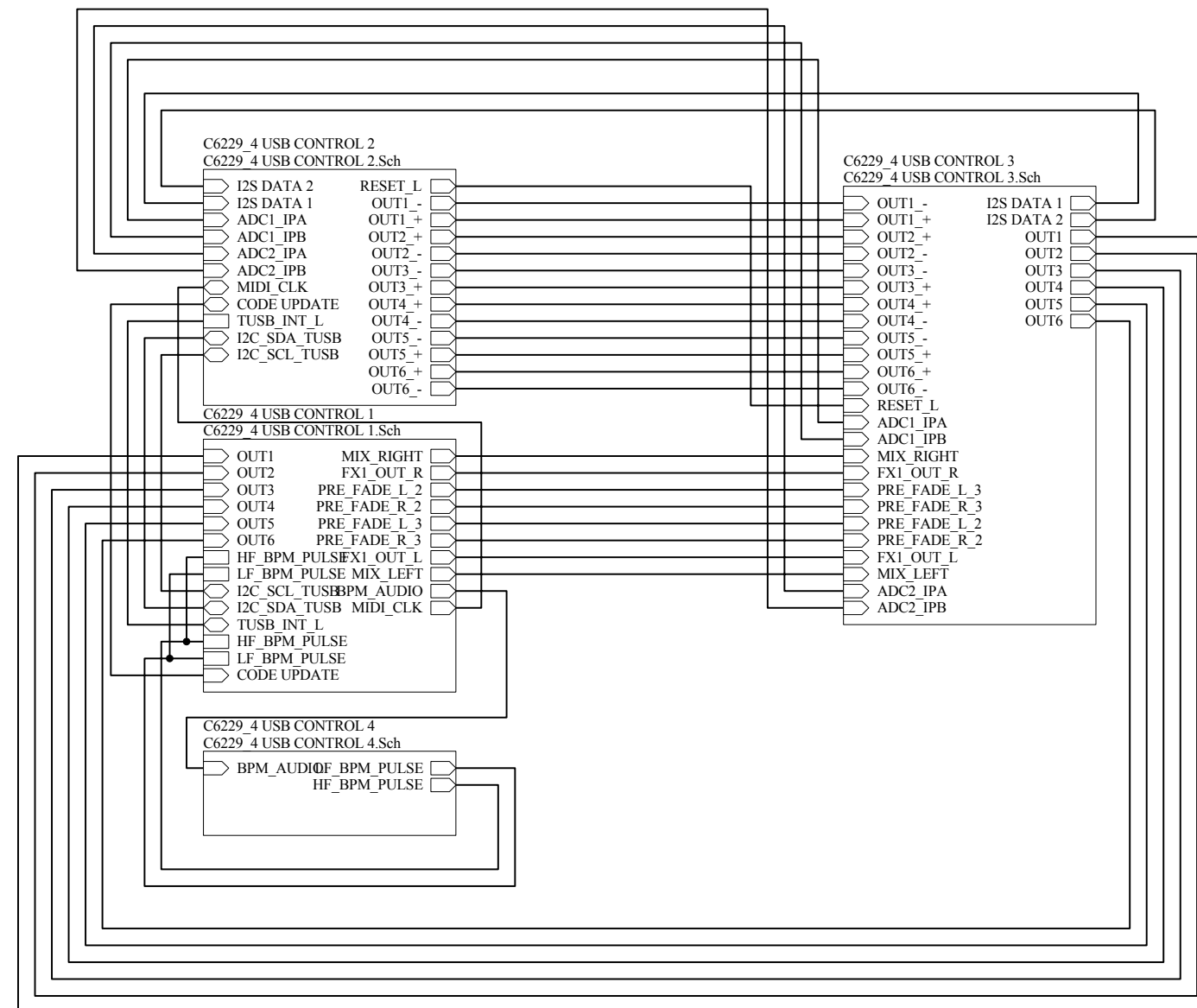
TITLE: XONE 3D CONNECTOR

PAGE:

DRG No: C6231 ISSUE: 1 SHEET: 1 OF 1

PRINTED: 14:37:08 25-Apr-2006





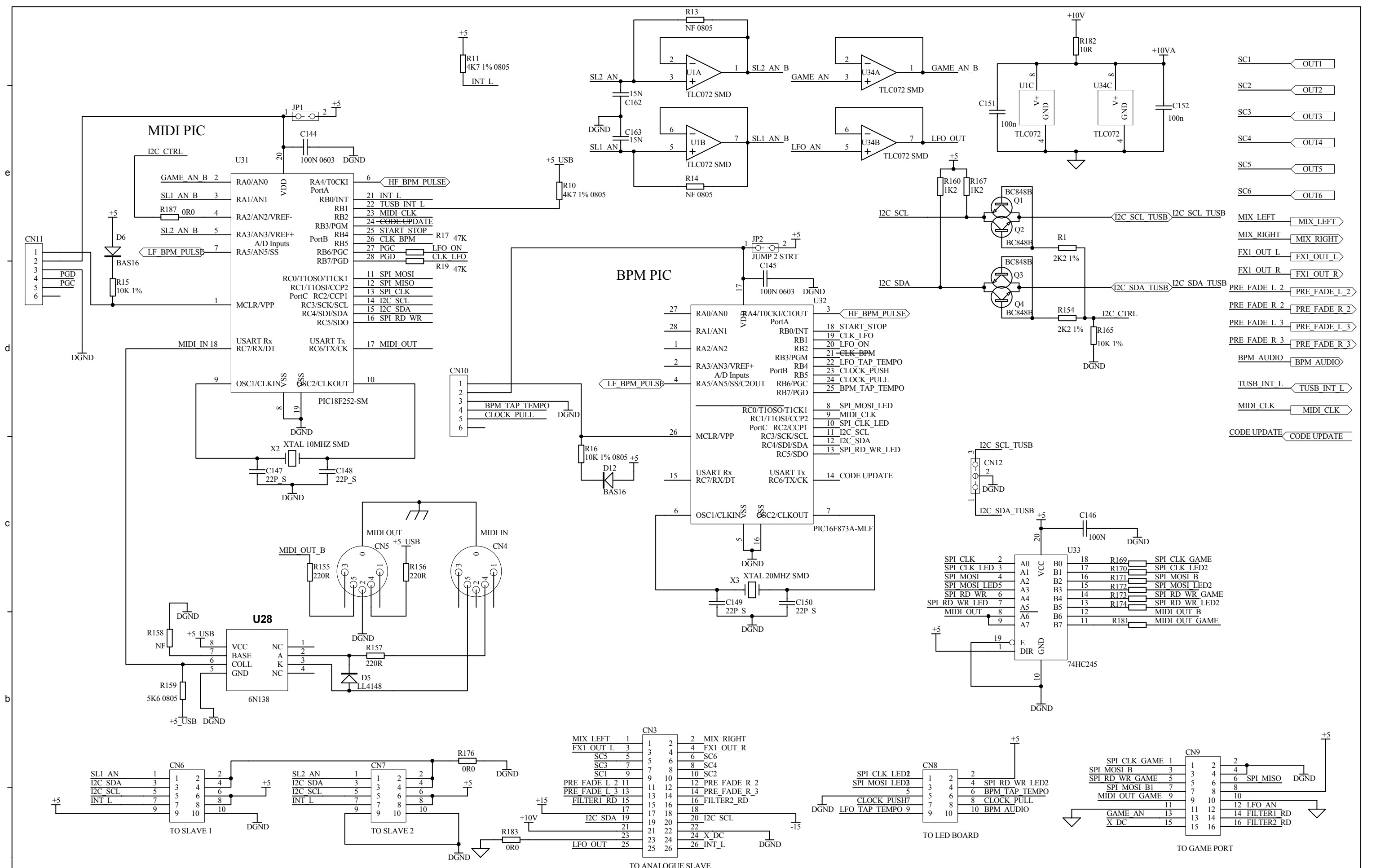
**ALLEN&HEATH**  
 Kernick Industrial Estate,  
 Penryn, Cornwall,  
 England. TR10 9LU  
 Tel: +44 (0)8707 556250  
 Fax: +44 (0)8707 556251

ISSUE	BY	DATE	CHK BY

FILE: SHEET1

PRINTED: 14:35:58 25-Apr-2006

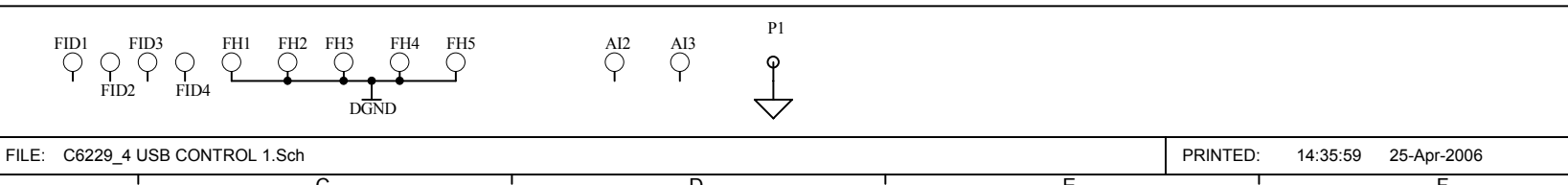
TITLE:  
 PAGE:  
 DRG No:                      ISSUE:                      SHEET: 0 of 0



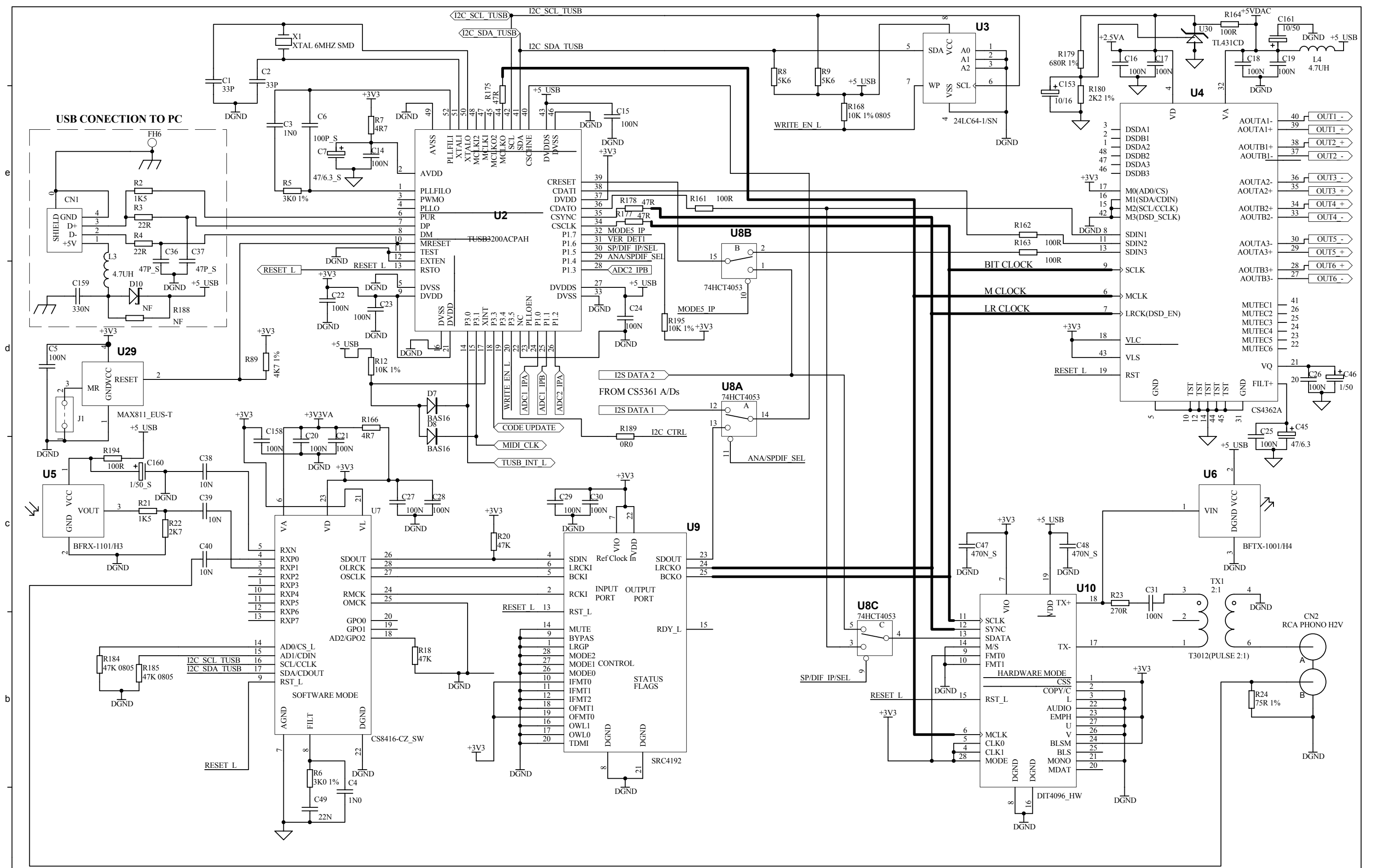
- SC1 → OUT1
- SC2 → OUT2
- SC3 → OUT3
- SC4 → OUT4
- SC5 → OUT5
- SC6 → OUT6
- MIX LEFT → MIX LEFT
- MIX RIGHT → MIX RIGHT
- FX1 OUT L → FX1 OUT L
- FX1 OUT R → FX1 OUT R
- PRE FADE L 2 → PRE FADE L 2
- PRE FADE R 2 → PRE FADE R 2
- PRE FADE L 3 → PRE FADE L 3
- PRE FADE R 3 → PRE FADE R 3
- BPM AUDIO → BPM AUDIO
- TUSB INT L → TUSB INT L
- MIDI CLK → MIDI CLK
- CODE UPDATE → CODE UPDATE

**ALLEN&HEATH**  
 Kernick Industrial Estate,  
 Penryn, Cornwall,  
 England. TR10 9LU  
 Tel: +44 (0)8707 556250  
 Fax: +44 (0)8707 556251

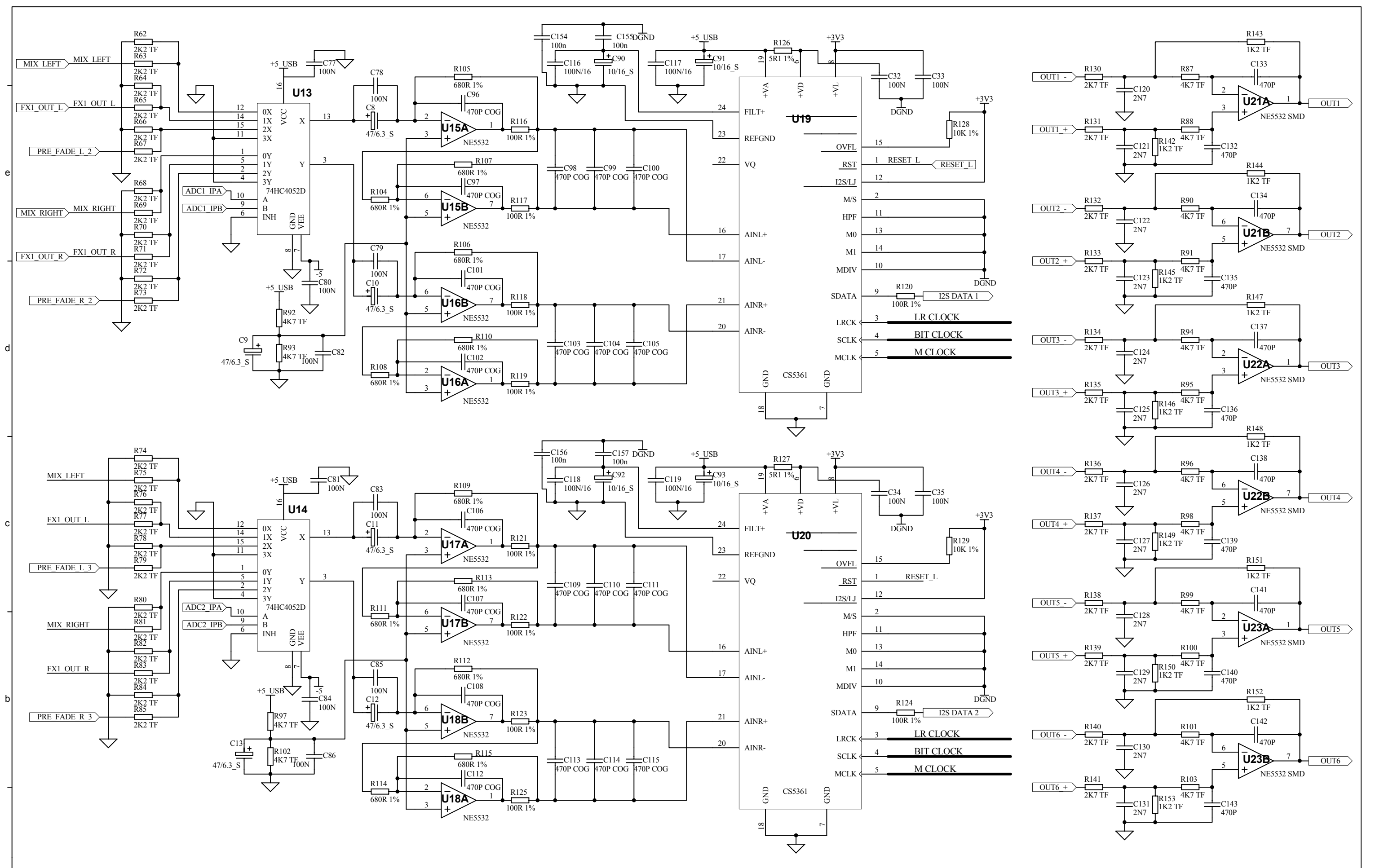
ISSUE	BY	DATE	CHK BY
1	ARJ	25-11-05	
2	ARJ	1-2-06	
4	ARJ	22-04-06	



TITLE: **SPI/MIDI/BMP**  
 PAGE:  
 DRG No: C6229 ISSUE: 4 SHEET: 1 OF 4



<b>ALLEN&amp;HEATH</b> Kernick Industrial Estate, Penryn, Cornwall, England. TR10 9LU Tel: +44 (0)8707 556250 Fax: +44 (0)8707 556251	ISSUE	BY	DATE	CHK BY	TITLE: DIGITAL IO AND USB INTERFACE PAGE: DRG No: C6229 ISSUE: 4 SHEET: 2 OF 4
	1	ARJ	25-11-05		
	2	ARJ	1-2-06		
	4	ARJ	22-04-06		
FILE: C6229_4 USB CONTROL 2.Sch					PRINTED: 14:35:59 25-Apr-2006



**ALLEN&HEATH**  
 Kernick Industrial Estate,  
 Penryn, Cornwall,  
 England. TR10 9LU  
 Tel: +44 (0)8707 556250  
 Fax: +44 (0)8707 556251

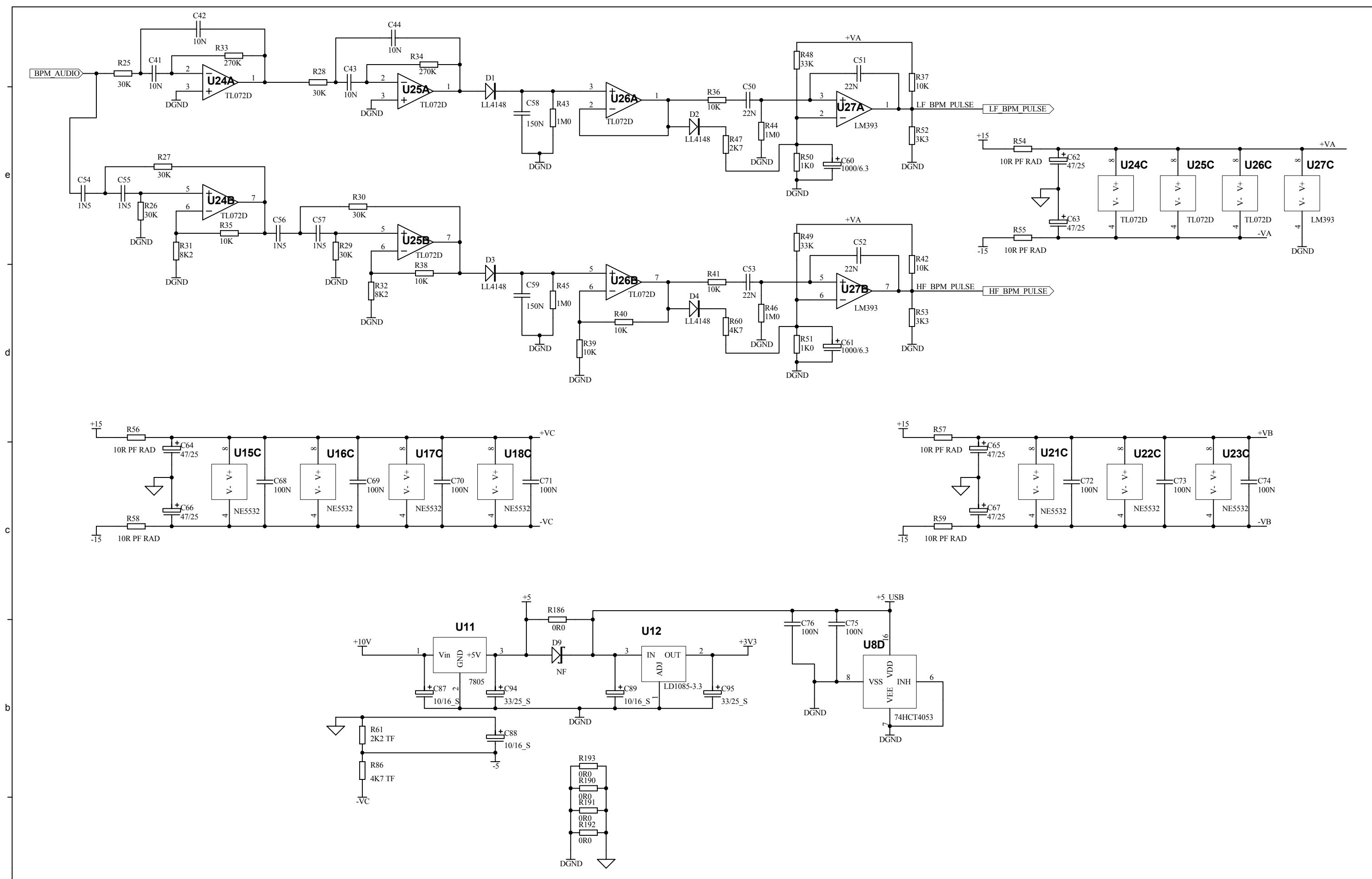
ISSUE	BY	DATE	CHK BY
1	ARJ	25-11-05	
2	ARJ	1-2-06	
4	ARJ	22-04-06	

FILE: C6229\_4 USB CONTROL 3.Sch

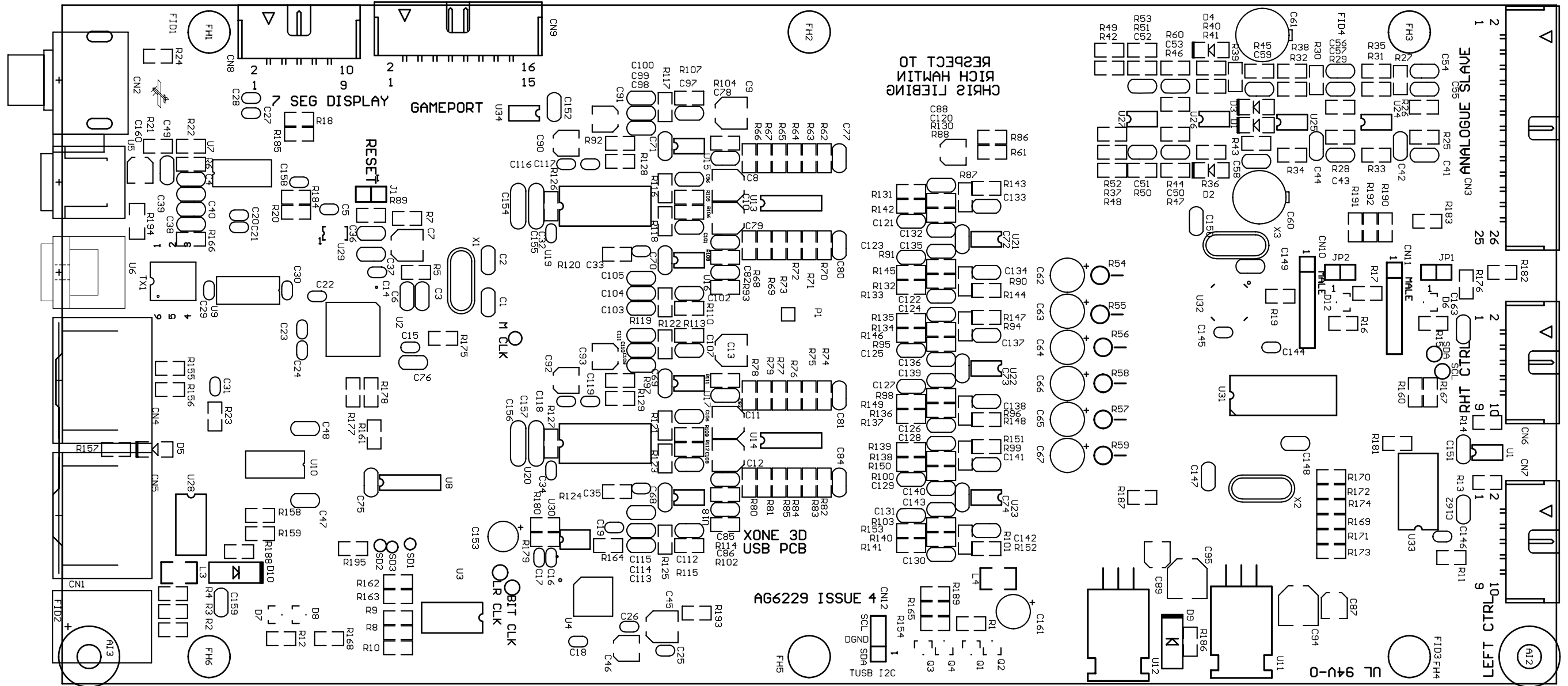
PRINTED: 14:36:00 25-Apr-2006

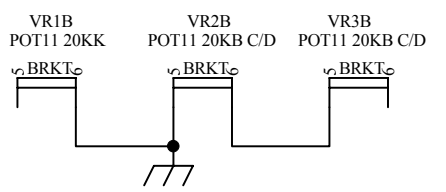
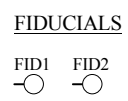
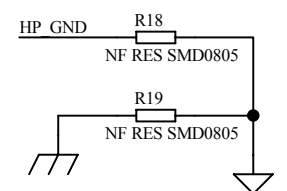
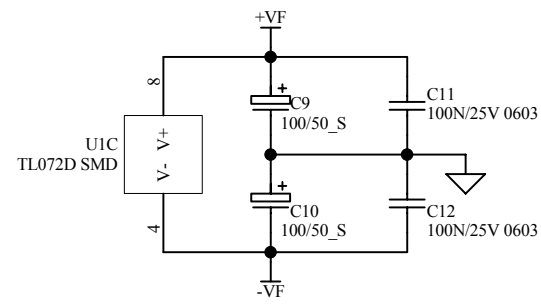
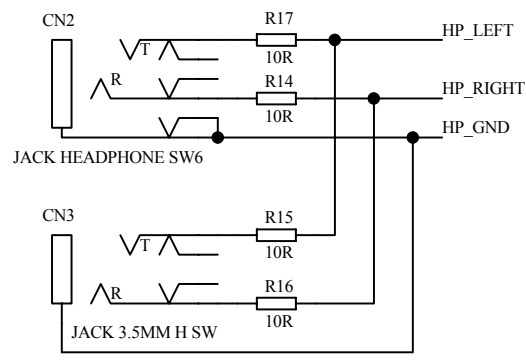
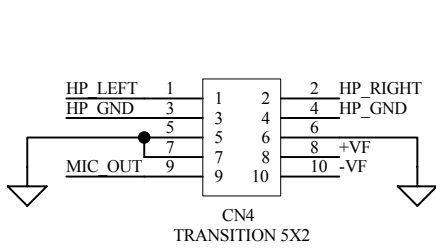
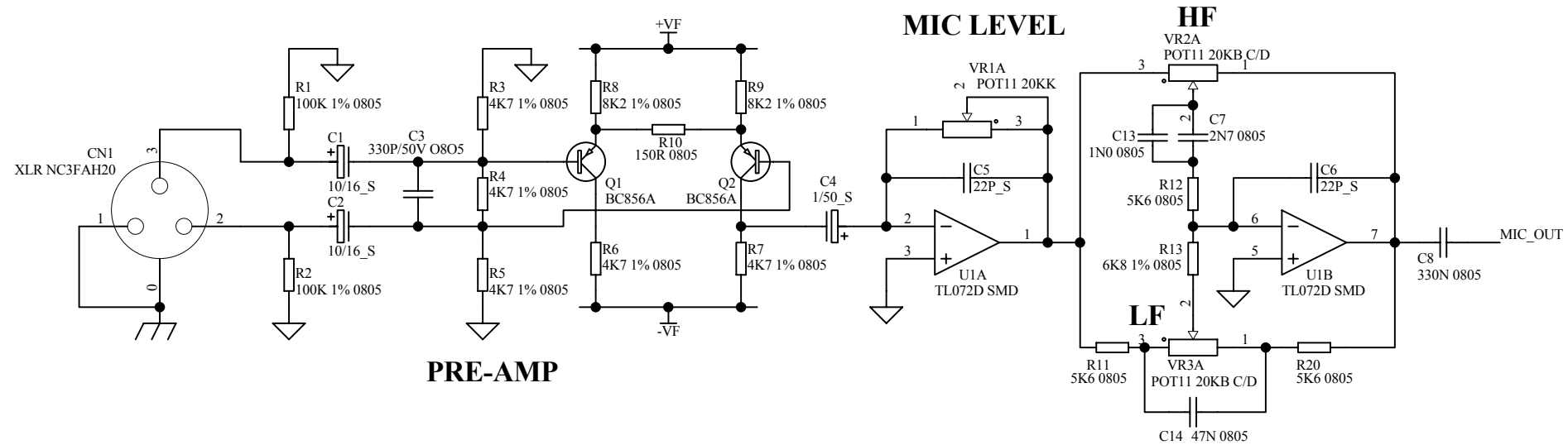
TITLE: ADC AND ANALOGUE OUT  
 PAGE:  
 DRG No: C6229 ISSUE: 4 SHEET: 3 OF 4





<b>ALLEN&amp;HEATH</b> Kernick Industrial Estate, Penryn, Cornwall, England. TR10 9LU Tel: +44 (0)1326 372070 Fax: +44 (0)1326 370153	ISSUE	BY	DATE	CHK BY	TITLE: BPM ANALOGUE/ POWER SUPPLY PAGE: DRG No: C6229 ISSUE: 4 SHEET: 4 OF 4
	1	ARJ	25-11-05		
	2	ARJ	1-2-06		
	4	ARJ	22-04-06		
FILE: C6229_4 USB CONTROL 4.Sch					PRINTED: 14:36:00 25-Apr-2006





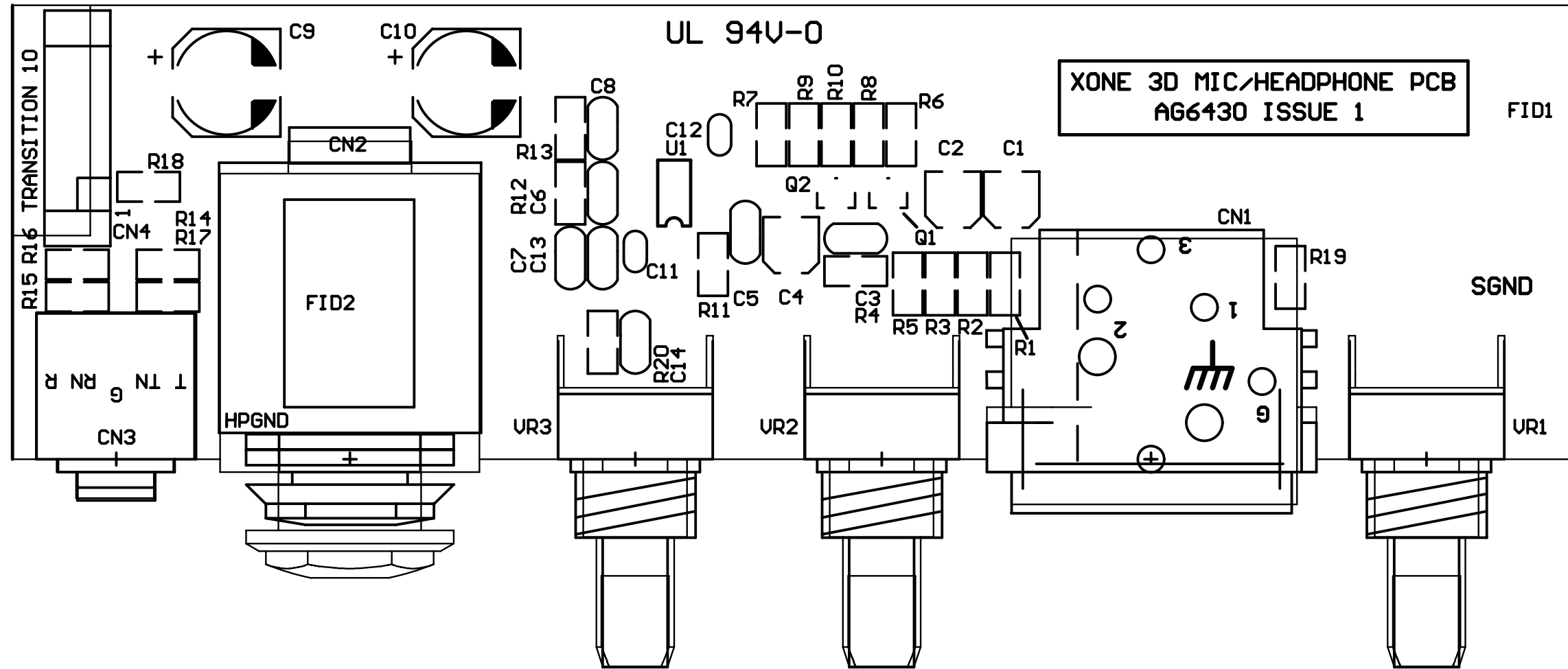
**ALLEN&HEATH**  
 Kernick Industrial Estate,  
 Penryn, Cornwall,  
 England. TR10 9LU  
 Tel: +44 (0)1326 372070  
 Fax: +44 (0)1326 370153

ISSUE	BY	DATE	CHK BY
1	JB	18/10/05	????

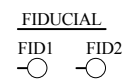
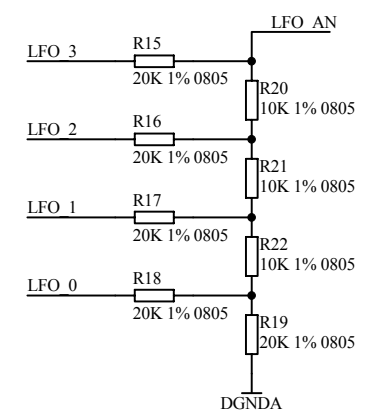
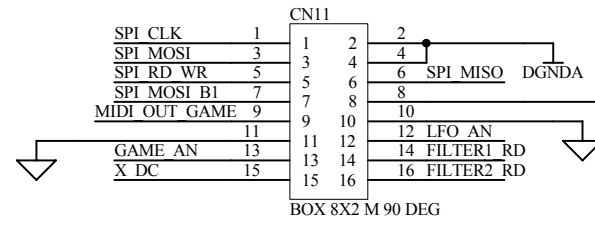
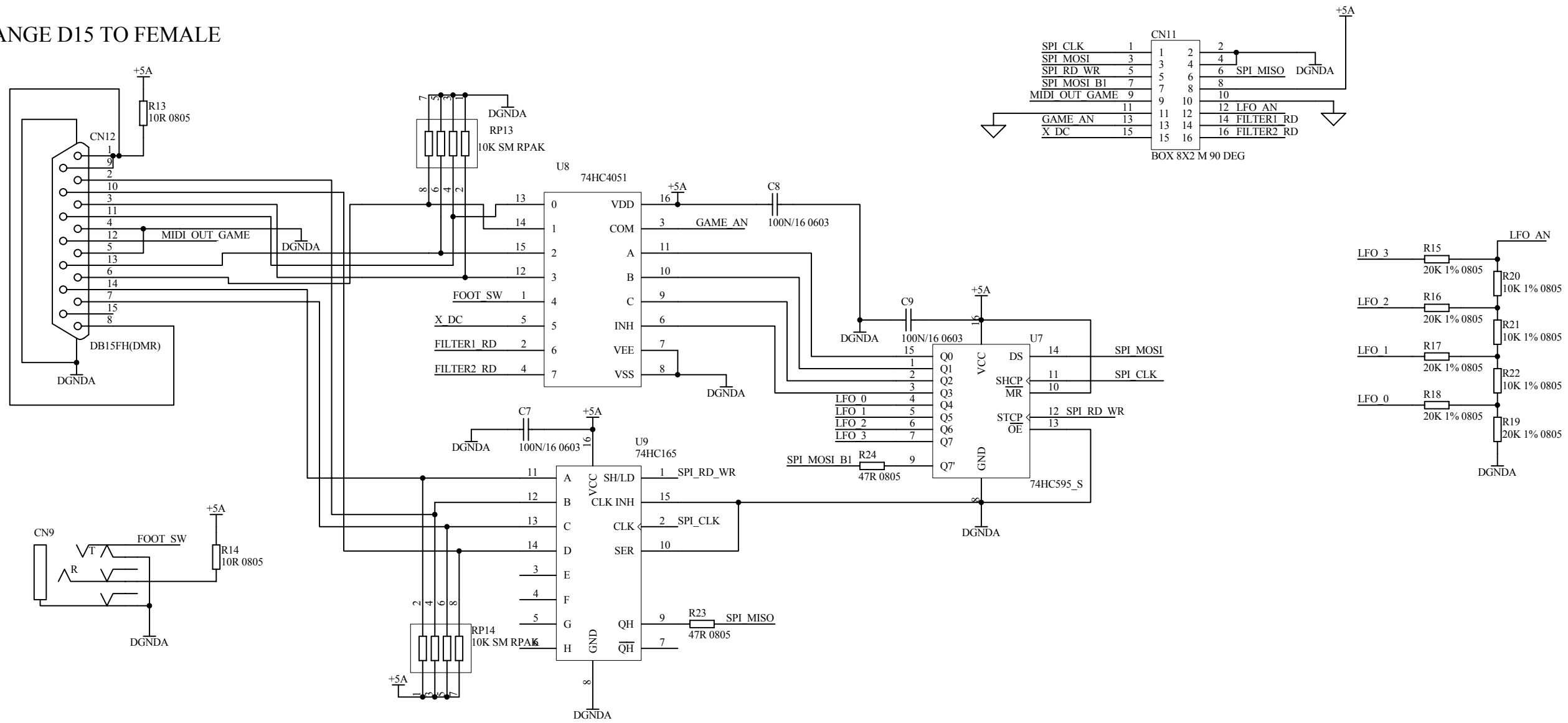
FILE: C6430\_1 HEADPHONE SOCKET.Sch

PRINTED: 14:43:42 25-Apr-2006

TITLE: XONE 3D MIC & PHONES PCB  
 PAGE:  
 DRG No: AG6430 ISSUE: 1 SHEET: 1 OF 1



CHANGE D15 TO FEMALE

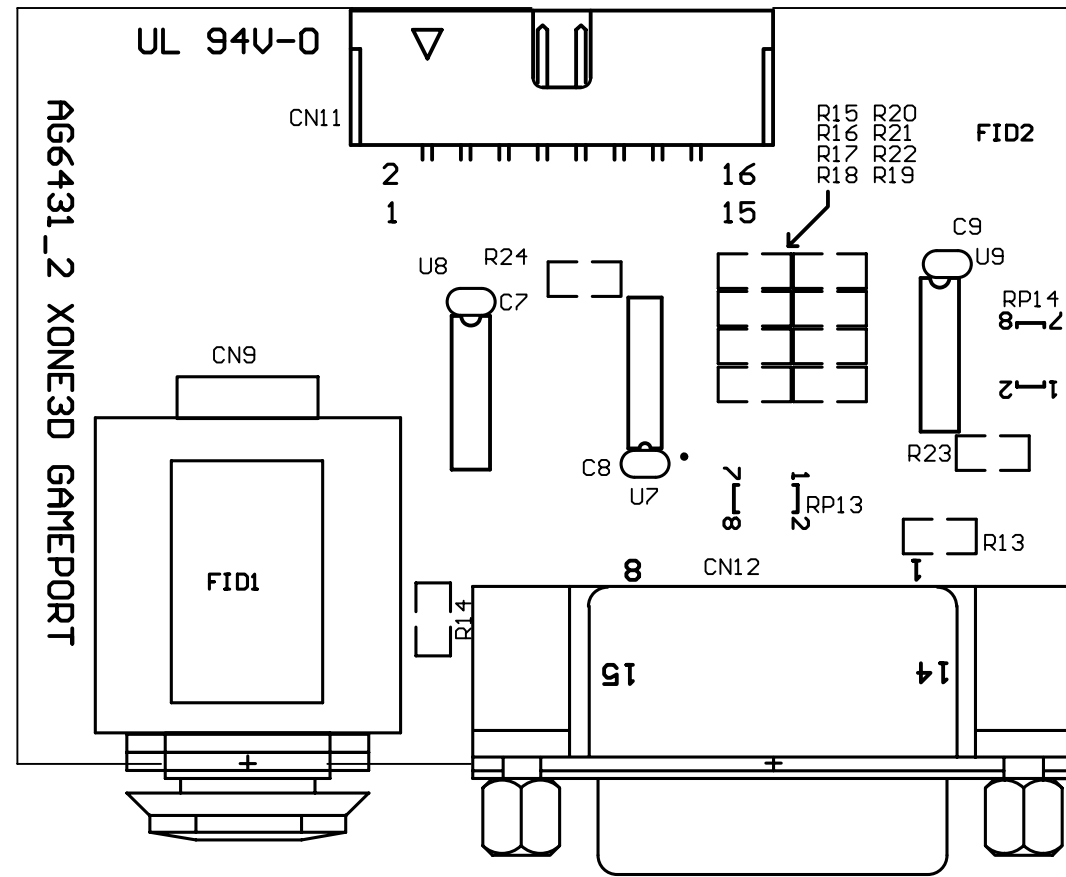


<b>ALLEN&amp;HEATH</b> Kernick Industrial Estate, Penryn, Cornwall, England. TR10 9LU Tel: +44 (0)1326 372070 Fax: +44 (0)1326 370153	ISSUE	BY	DATE	CHK BY
	1	ARJ	14-10-05	

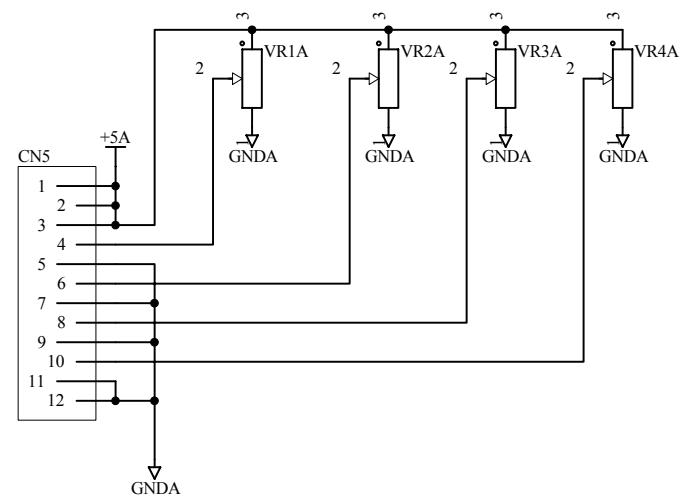
FILE: C6431\_2\_GAMEPORT.SCH

PRINTED: 14:45:19 25-Apr-2006

TITLE: XONE 3D GAMEPORT PCB  
PAGE:  
DRG No: C6431 ISSUE: 1 SHEET: 1 OF 1



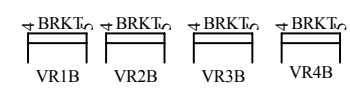
e  
d  
c  
b  
a



**ALLEN&HEATH**

Kernick Industrial Estate,  
Penryn, Cornwall,  
England. TR10 9LU  
Tel: +44 (0)1326 372070  
Fax: +44 (0)1326 370153

ISSUE	BY	DATE	CHK BY
1	ARJ	14-10-05	



FILE: C6432\_1 MIDI FADERS.Sch

PRINTED: 14:45:55 25-Apr-2006

TITLE: **XONE 3D MIDI FADER**  
PAGE:

DRG No: **C6432** ISSUE: 1 SHEET: 1 OF 1

A

B

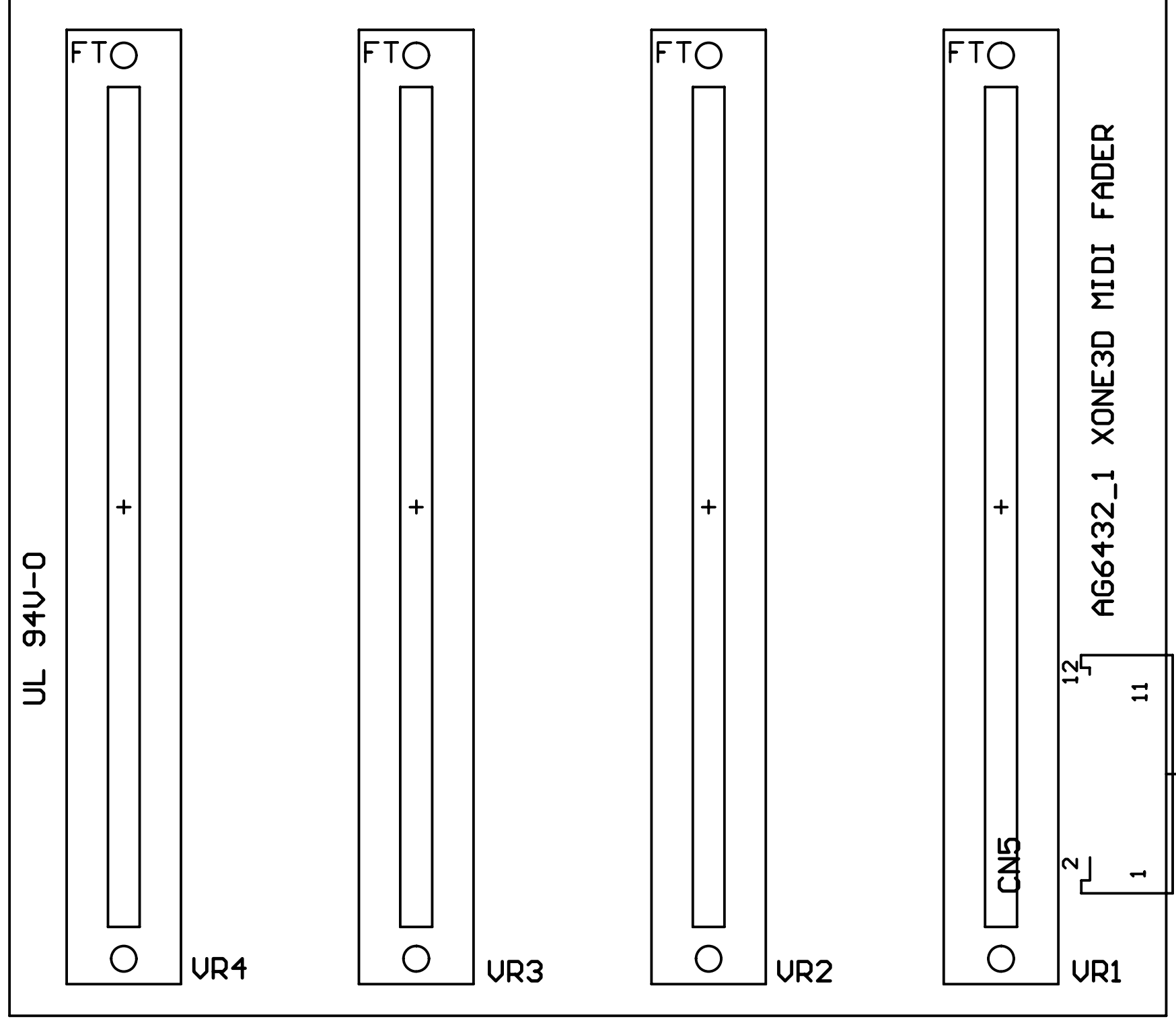
C

D

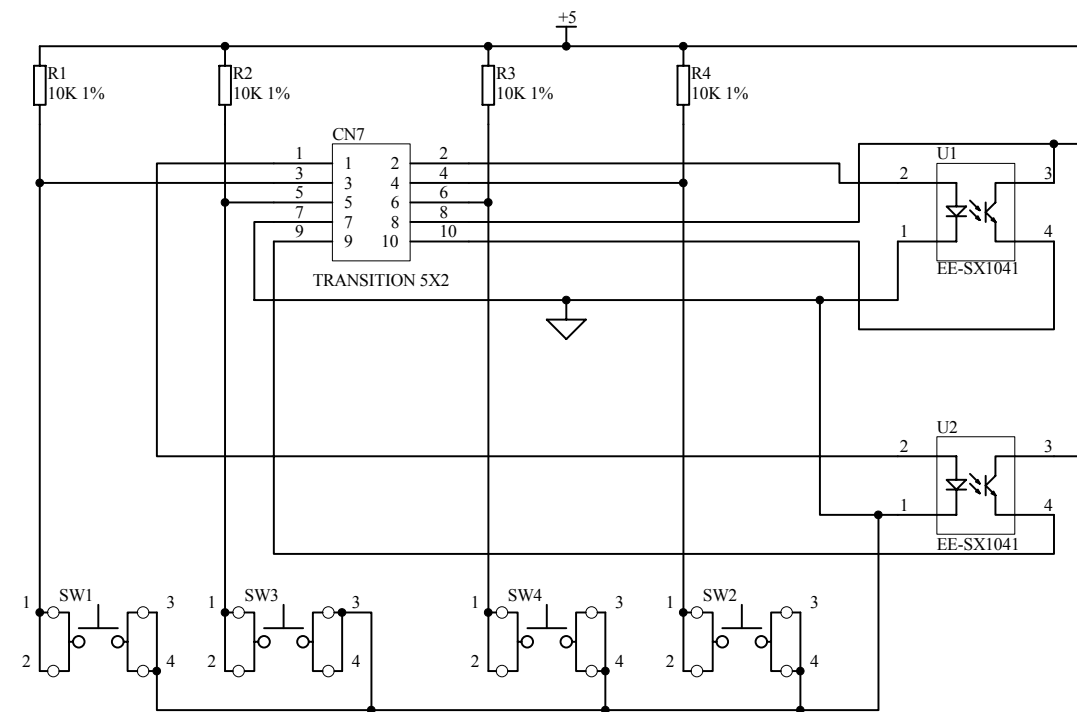
E

F

G







**ALLEN&HEATH**

Kernick Industrial Estate,  
Penryn, Cornwall,  
England. TR10 9LU  
Tel: +44 (0)1326 372070  
Fax: +44 (0)1326 370153

ISSUE	BY	DATE	CHK BY

A11 HOLE-AI  
A12 HOLE-AI

FILE: C6349\_1 JOG.Sch

TITLE: XONE 3D JOG WHEEL

PAGE:

PRINTED: 14:42:57 25-Apr-2006

DRG No: C6349 ISSUE: 1 SHEET: 1 OF 1

003-533 iss.1

